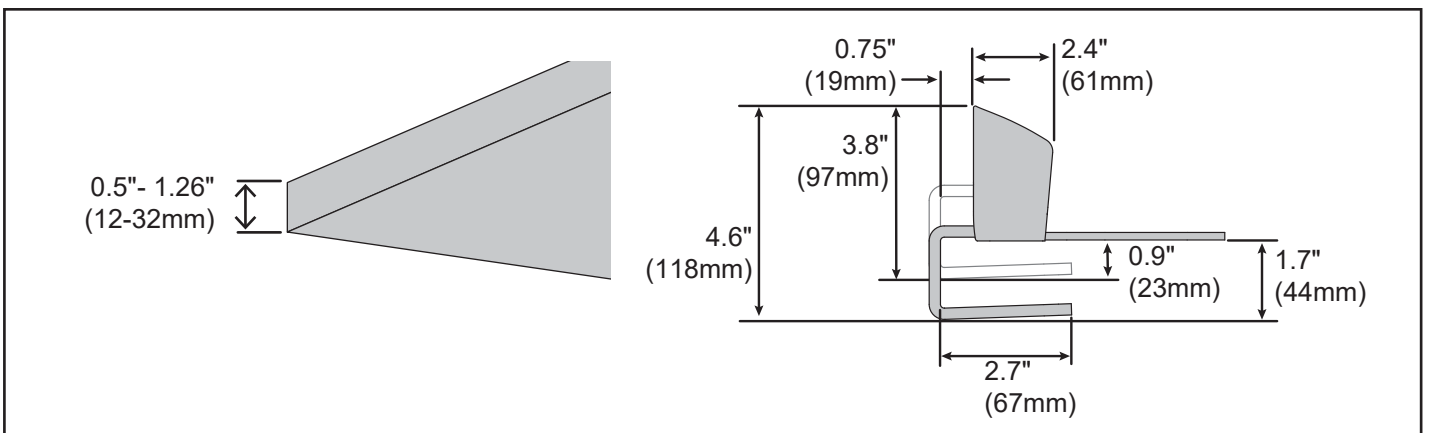
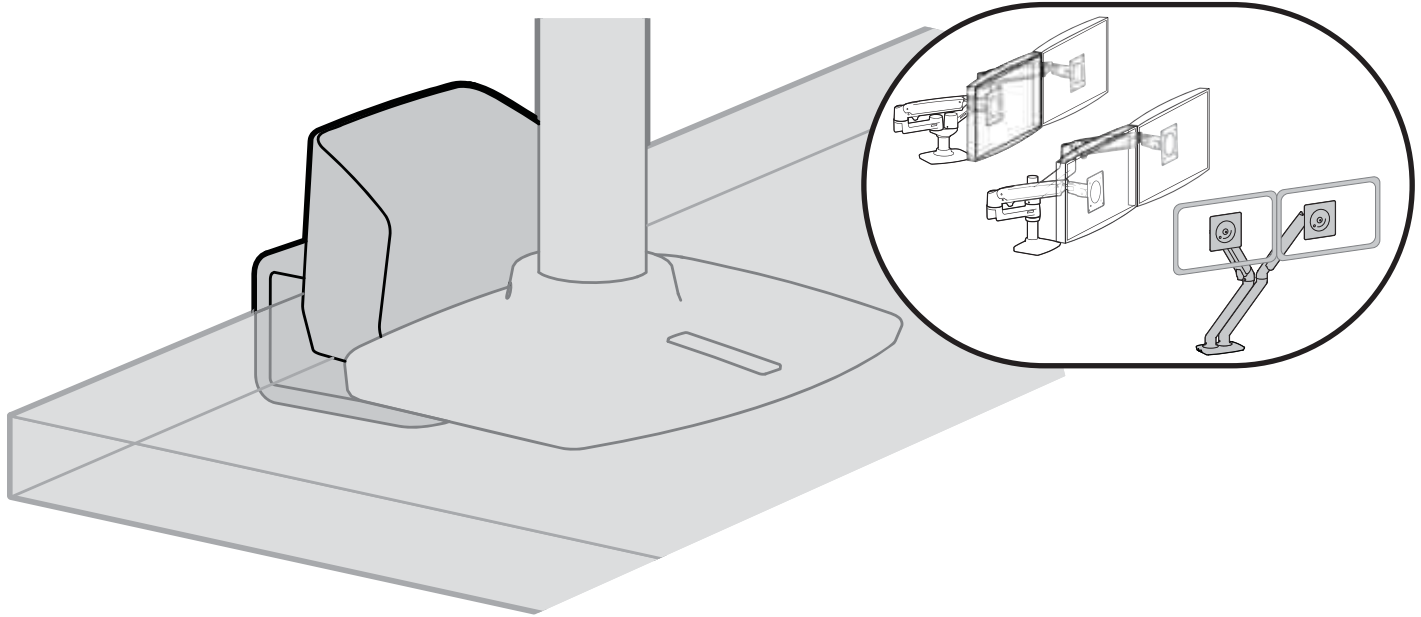
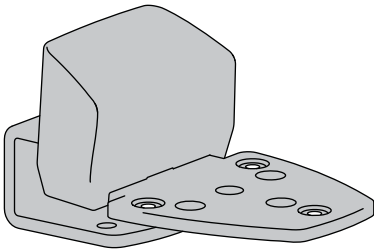


# C-Clamp (top mount)

for LX Dual Side-by-Side Arm  
 LX Dual Stacking Arm  
 MXV Dual Monitor Arm



© 2017 Ergotron, Inc. rev. 05/04/2017 DIM-TopclampLXMXV2 Content is subject to change without notification

**Americas Sales and Corporate Headquarters**

St. Paul, MN USA  
 (800) 888-8458  
 +1-651-681-7600  
 www.ergotron.com  
 sales@ergotron.com

**EMEA Sales**

Amersfoort, The Netherlands  
 +31 33 45 45 600  
 www.ergotron.com  
 info.eu@ergotron.com

**APAC Sales**

Tokyo, Japan  
 www.ergotron.com  
 apaccustomerservice@ergotron.com

**Worldwide OEM Sales**

www.ergotron.com  
 info.oem@ergotron.com

