

DMPS3-4K-250-C/DMPS3-4K-350-C 3-Series® 4K DigitalMedia™ Presentations Systems

DO Install the Device

The Crestron® DMPS3-4K-250-C and DMPS3-4K-350-C can be mounted into a rack or placed onto a flat surface.

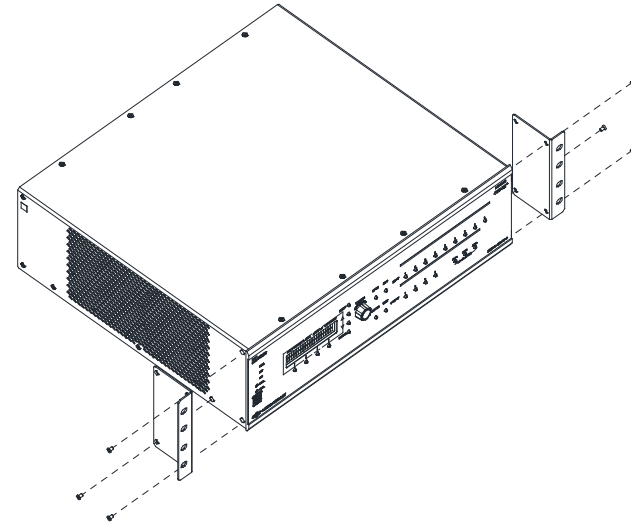
Mounting into a Rack

The DMPS3-4K-250-C and DMPS3-4K-350-C each occupy 3U of rack space. Using a #1 or #2 Phillips screwdriver, attach the two included rack ears to the device. Then, mount the device into the rack using four mounting screws (not included).

Placing onto a Flat Surface

When placing the device onto a flat surface or stacking it with other equipment, attach the included feet near the corners on the underside of the device.

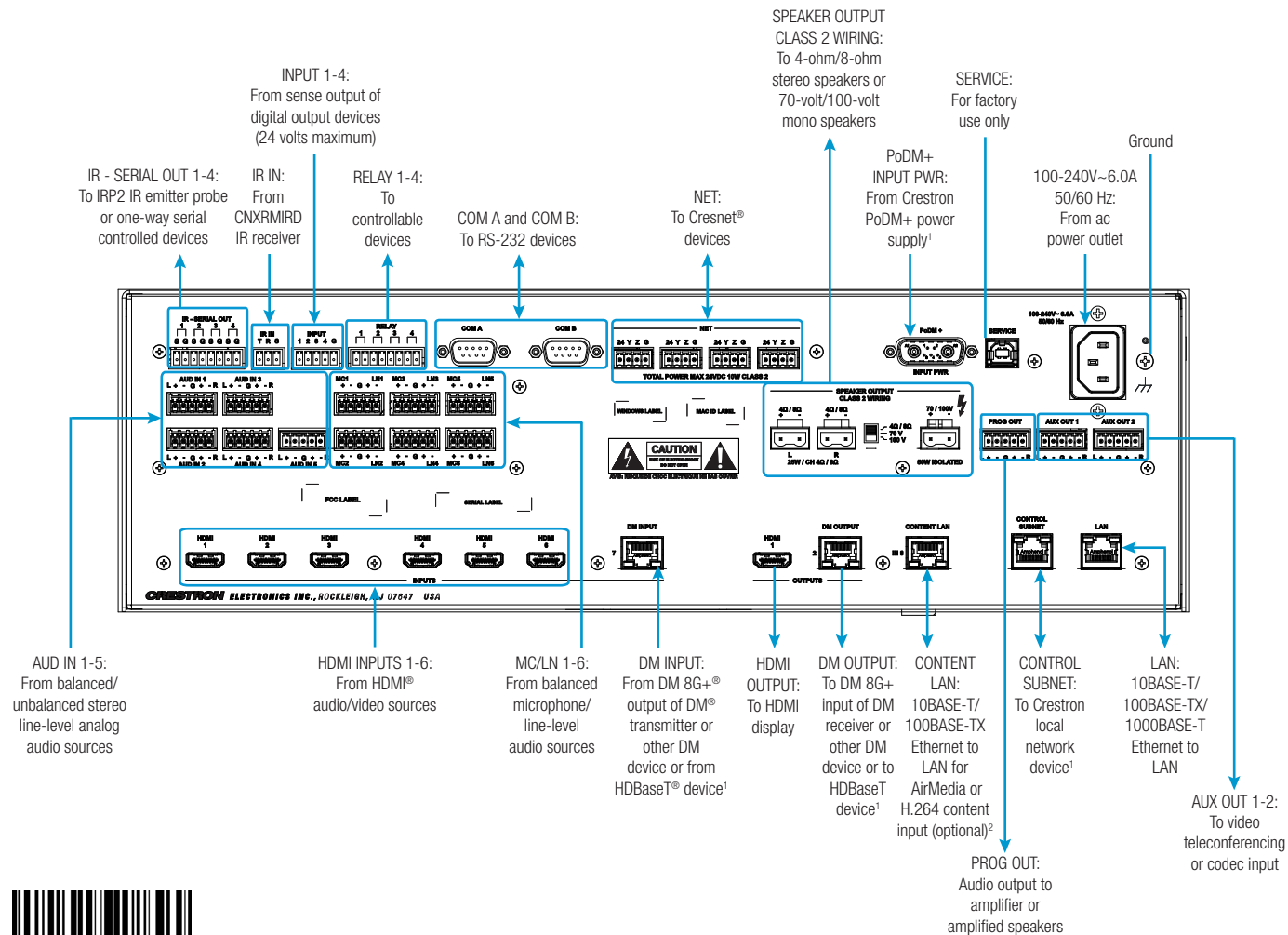
Mounting into a Rack



DO Connect the Device

Connect the device as required for the application.

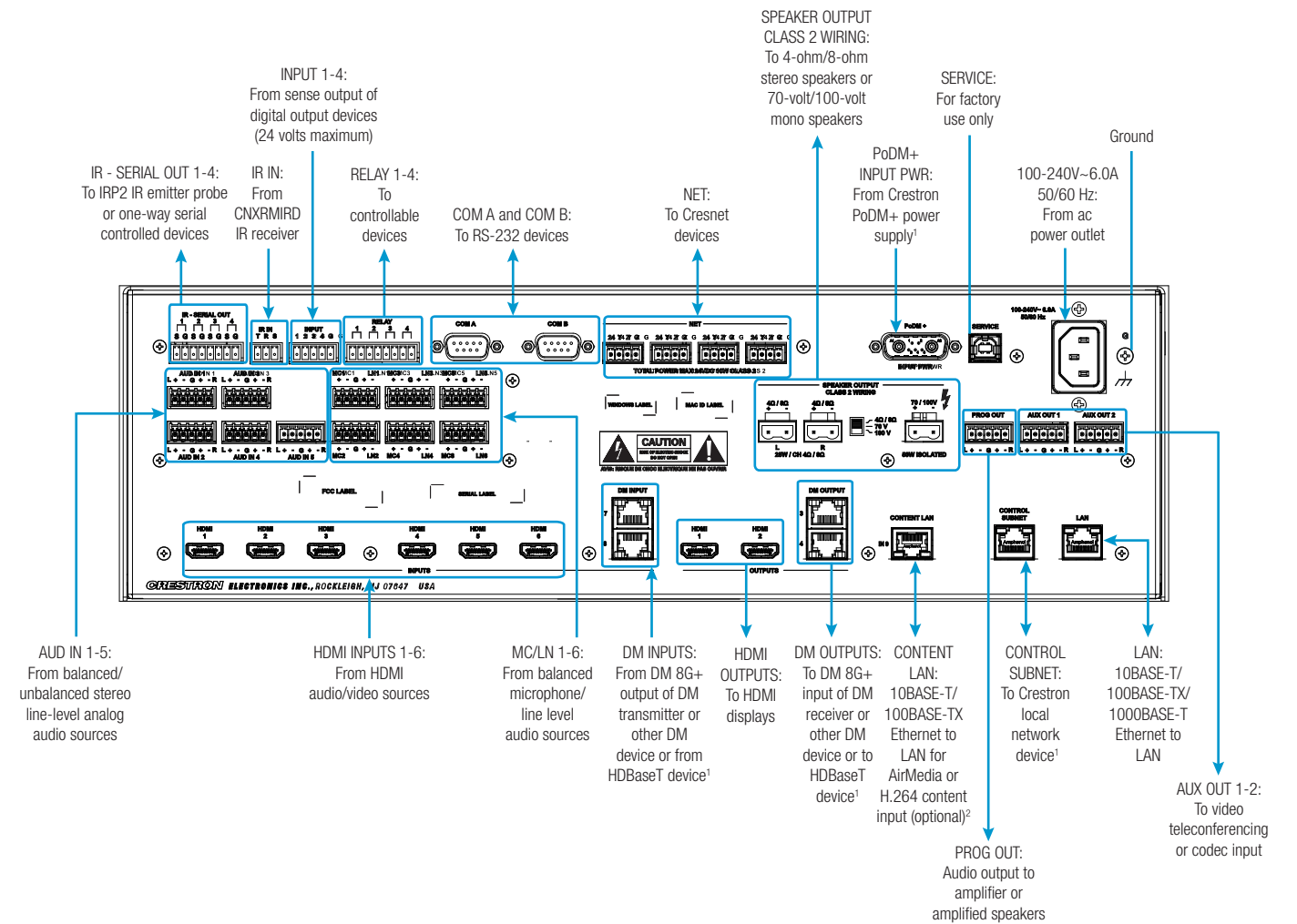
Connecting the DMPS3-4K-250-C



DO Check the Box

QUANTITY	PRODUCT	COLOR	PART NUMBER
2	Bracket, Rack Ear, 3U	Black	2033588
1	Cable, USB 2.0, A - B, 6' (1.83 m)		2014966
3	Connector, 2-Pin		2012361
1	Connector, 3-Pin		2003575
4	Connector, 4-Pin		2003576
15	Connector, 5-Pin		2003577
2	Connector, 8-Pin		2003580
4	Foot, 0.5" x 0.5" x 0.23", Rubber	Black	2002389
1	Power Cord, 6' 7" (2 m)		2001134
6	Screw, 6-32 x 5/16", Undercut Head, Phillips	Black	2007223

Connecting the DMPS3-4K-350-C



DO Determine the Address of the Device

The DMPS3-4K-250-C and DMPS3-4K-350-C can be addressed using the hostname of the device. The default hostname is DMPS3-xxxxxxx, where xxxxxxx consists of the last eight characters (excluding punctuation) of the MAC address. For example, if the MAC address is 00:10:7F:08:09:AA:05, the default host name is DMPS3-0809AA05. The MAC address is labeled on the rear panel of the device.

Alternatively, the DMPS3-4K-250-C and DMPS3-4K-350-C can be addressed using the IP address of the device. By default, DHCP is enabled. To set a static IP address, use any of the following:

- Crestron Toolbox™ software on a PC that connects to the device via the Ethernet network

NOTE: The Device Discovery Tool can be used to find the current IP address.

- A USB connection to the COMPUTER port on the front panel of the device
- The front panel LCD display menu



DO Commission the System

Using the web interface, configure the device. To access the web interface, open a web browser and enter either of the following:

`hostname/setup` (*hostname* is the hostname of the device)

or

`xxx.xxx.xxx.xxx/setup` (*xxx.xxx.xxx.xxx* is the IP address of the device)

The DMPS3-4K-250-C and DMPS3-4K-350-C also include the preloaded DMPS .AV Framework™ software, which enables complete system control without requiring additional programming. For complete details about the capabilities supported by the .AV Framework software, go to www.crestron.com/avframework.

DO Route the Inputs

To route an input to one or more outputs, use the web interface or the front panel push button controls.

To route the inputs using the front panel push button controls, do the following:

1. Press the **ROUTE** push button.
2. Press the **INPUT** push button that corresponds to the input to be routed.
3. Press the desired **OUTPUT** push buttons to which the input is to be routed.
4. Press the **ENTER** push button.

DO Activate the AirMedia Receiver

An integrated AirMedia® receiver is available as a licensed option, which eliminates the need for a Crestron AM-101. To activate a purchased license for the AirMedia receiver, do the following:

1. Obtain the system key from the AirMedia Input Configuration page of the web interface.
2. Obtain the associated license key by visiting <https://www.crestron.com/dmps-airmedia-activation>.
3. Activate the AirMedia receiver on the AirMedia Input Configuration page of the web interface.

For detailed information about the activation process for the AirMedia receiver, refer to Answer ID 5652 in the Online Help section of the Crestron website.

1. The DM INPUT and DM OUTPUT ports are PoDM+ power sourcing equipment (PSE) ports and are HDBaseT PoE+ compatible. The CONTROL SUBNET port is a PoE PSE port. Enabling PoDM+, HDBaseT PoE+, and PoE power sourcing requires connection of the PODM+ INPUT PWR port to an external Crestron power supply (PW-4830DUS or DM-PSU-3X8-RPS, sold separately). Any wiring that is connected to a PoDM+, HDBaseT PoE+, or PoE PSE port is for intrabuilding use only and should not be connected to a line that runs outside of the building in which the PSE is located.

2. As an alternative to using the main LAN port for AirMedia or H.264 content input, the CONTENT LAN port can be used to provide a secondary LAN connection that is dedicated to either AirMedia or H.264 content input.

DO Learn More

Visit the website for additional information and the latest firmware updates. To learn more about this product, use a QR reader application on your mobile device to scan the QR image.

Crestron Electronics

15 Volvo Drive, Rockleigh, NJ 07647
888.CRESTRON | www.crestron.com

DMPS3-4K-250-C



DMPS3-4K-350-C



As of the date of manufacture, the product has been tested and found to comply with specifications for CE marking.



This product is Listed to applicable UL® Standards and requirements tested by Underwriters Laboratories Inc.
Ce produit est homologué selon les normes et les exigences UL applicables par Underwriters Laboratories Inc.

Federal Communications Commission (FCC) Compliance Statement

This device complies with part 15 of the FCC Rules. Operation is subject to the following conditions: (1) This device may not cause harmful interference and (2) this device must accept any interference received, including interference that may cause undesired operation.

CAUTION: Changes or modifications not expressly approved by the manufacturer responsible for compliance could void the user's authority to operate the equipment.

NOTE: This equipment has been tested and found to comply with the limits for a Class A digital device, pursuant to part 15 of the FCC Rules. These limits are designed to provide reasonable protection against harmful interference when the equipment is operated in a commercial environment. This equipment generates, uses, and can radiate radio frequency energy and, if not installed and used in accordance with the instruction manual, may cause harmful interference to radio communications. Operation of this equipment in a residential area is likely to cause harmful interference in which case the user will be required to correct the interference at his own expense.

Industry Canada (IC) Compliance Statement

CAN ICES-3 (A)/NMB-3(A)

Rack Mounting Safety Precautions

- **Elevated Operating Ambient Temperature:** If installed in a closed or multi-unit rack assembly, the operating ambient temperature of the rack environment may be greater than room ambient temperature. Therefore, consideration should be given to installing the equipment in an environment compatible with the maximum ambient temperature (T_{ma}) specified by the manufacturer.
- **Reduced Airflow:** Installation of the equipment in a rack should be such that the amount of airflow required for safe operation of the equipment is not compromised.
- **Mechanical Loading:** Mounting of the equipment in the rack should be such that a hazardous condition is not achieved due to uneven mechanical loading.
- **Circuit Overloading:** Consideration should be given to the connection of the equipment to the supply circuit and the effect that overloading of the circuits might have on overcurrent protection and supply wiring. Appropriate consideration of equipment nameplate ratings should be used when addressing this concern.
- **Reliable Earthing:** Reliable earthing of rack-mounted equipment should be maintained. Particular attention should be given to supply connections other than direct connections to the branch circuit (e.g., use of power strips).

Electrical Connection:

"This product must be connected to an earthed mains socket-outlet."

- Finland: "Laitte on liitettävä suojamaadoituskoskettimilla varustettuun pistorasiaan."
- Norway: "Apparatet må tilkoples jordet stikkontakt."
- Sweden: "Apparaten skall anslutas till jordat uttag."

The specific patents that cover Crestron products are listed at www.crestron.com/legal/patents.

Certain Crestron products contain open source software. For specific information, please visit www.crestron.com/opensource.

Crestron, the Crestron logo, AirMedia .AV Framework, 3-Series, Cresnet, Crestron Toolbox, DigitalMedia, DM, and DM 8G+ are either trademarks or registered trademarks of Crestron Electronics, Inc., in the United States and/or other countries. HDBaseT and the HDBaseT Alliance logo are either trademarks or registered trademarks of the HDBaseT Alliance in the United States and/or other countries. HDMI and the HDMI logo are either trademarks or registered trademarks of HDMI Licensing LLC in the United States and/or other countries. UL and the UL logo are either trademarks or registered trademarks of Underwriters Laboratories, Inc. in the United States and/or other countries. Other trademarks, registered trademarks, and trade names may be used in this document to refer to either the entities claiming the marks and names or their products. Crestron disclaims any proprietary interest in the marks and names of others. Crestron is not responsible for errors in typography or photography.

This document was written by the Technical Publications department at Crestron.

©2017 Crestron Electronics, Inc.

The product warranty can be found at www.crestron.com/warranty.