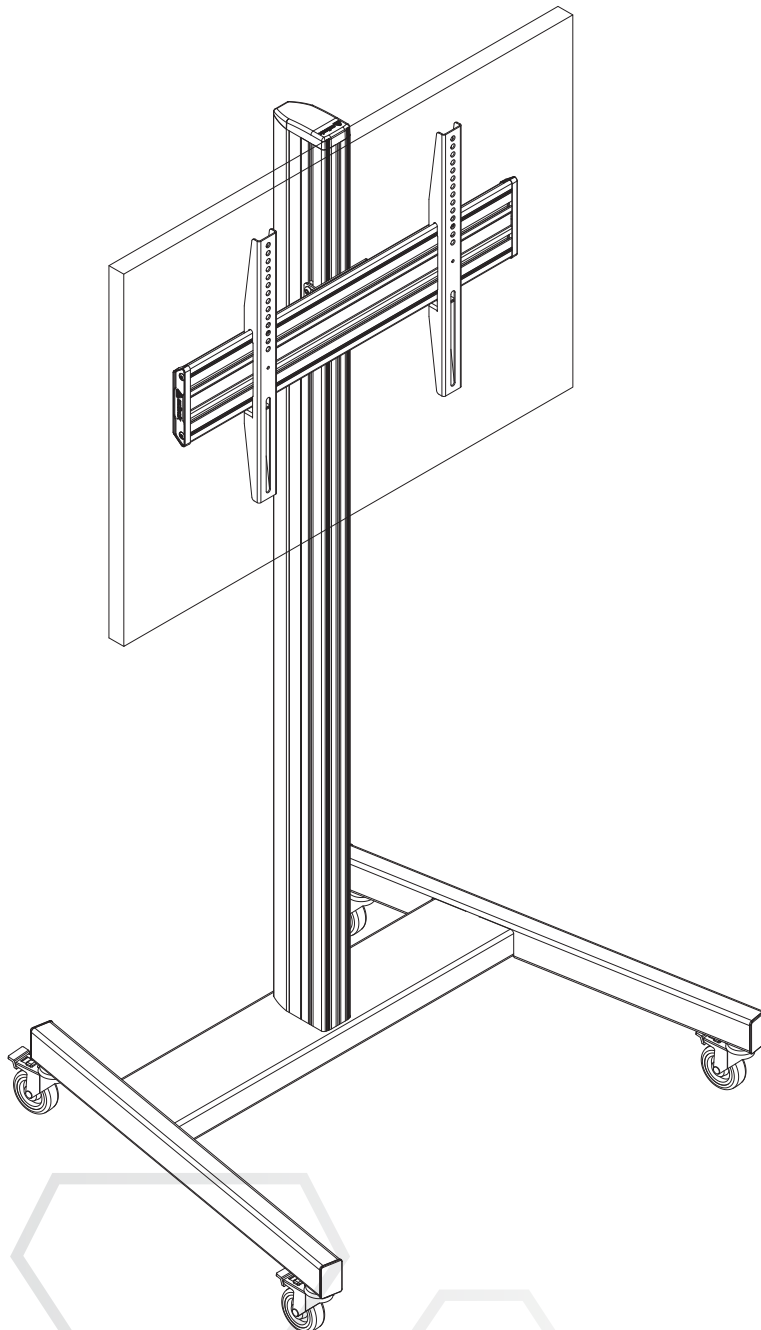


TRE100

VIDEOCONFERENCING TROLLEY



Warning

Please read this manual before starting the installation to ensure correct assembly.

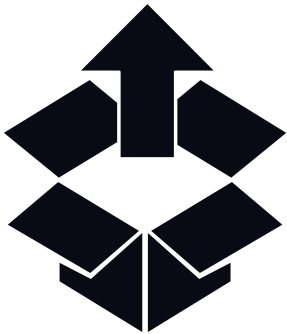
The assembly should be carried out in accordance with this manual by at least two fully qualified people. The EDBAK Company shall not be liable for any injuries or damage to material or property caused by incorrect assembly. Hence please ensure that:

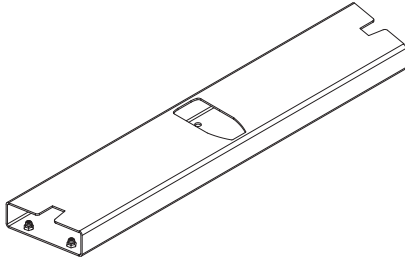
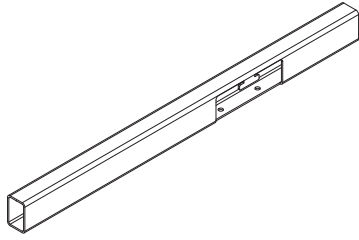
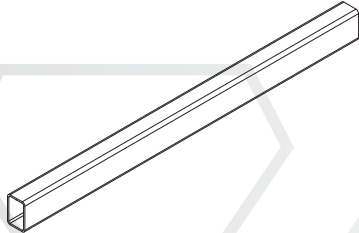
- during the assembly all the instructions are followed carefully. Failure to do so may result in damage to the product or property, or even personal injury;
- before assembly you must ensure that there are no power cables, or water, sewage or gas pipes in the area of the ceiling where the mount is to be fixed;
- when attaching the projector to the mount, please ensure that the screws are of the correct length and diameter. In order to ensure the correct fit, use the plastic spacers supplied. Use of the wrong screws may result in permanent product damage. Extra caution should be taken with movable parts in order to avoid crushing or pinching your hands or fingers. The movable parts are identified in this manual.

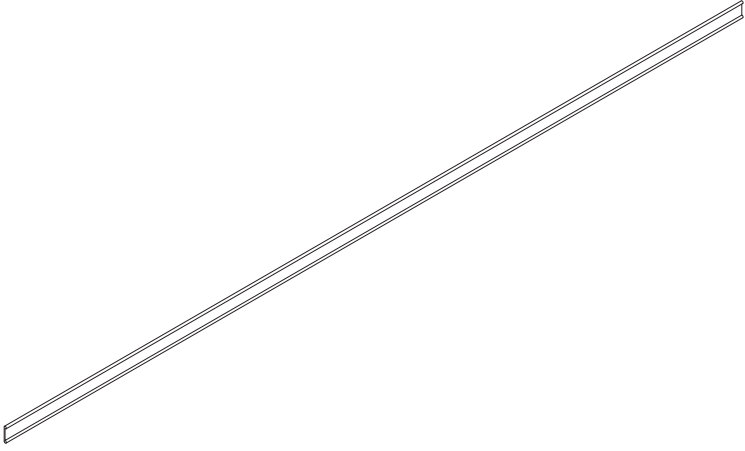
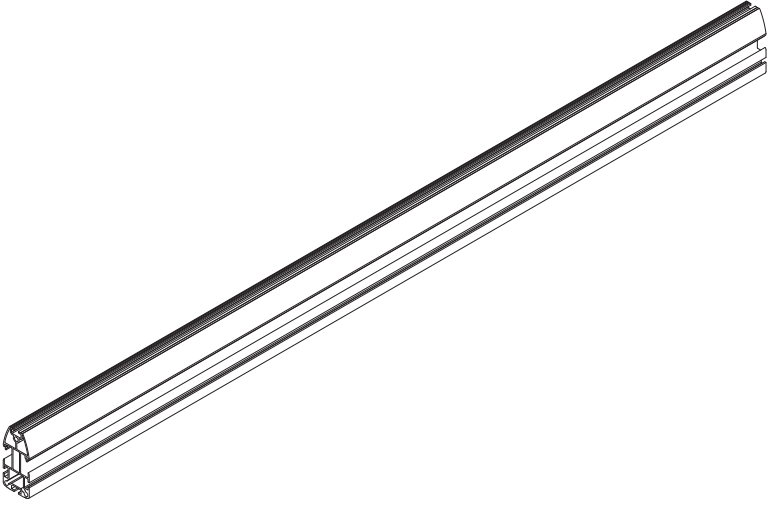
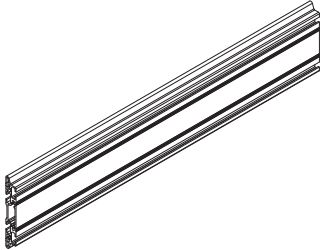
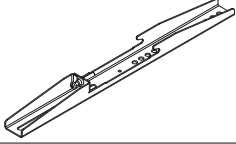

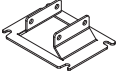



The terms of the product guarantee are detailed in the guarantee card.


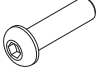
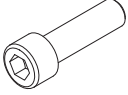




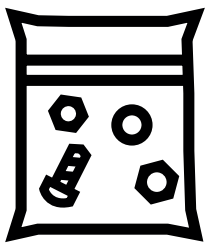
		AA
	4mm	BB
	5mm	CC
	8mm	DD

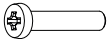
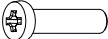
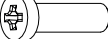

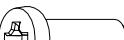
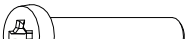

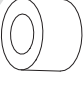




	A	1x
	B	1x
	C	1x

	<p>D</p>	<p>2x</p>
	<p>E</p>	<p>1x</p>
	<p>F</p>	<p>1x</p>
	<p>G</p>	<p>2x</p>
	<p>H</p>	<p>2x</p>
	<p>I</p>	<p>1x</p>
	<p>J</p>	<p>4x</p>
	<p>K</p>	<p>1x</p>
	<p>L</p>	<p>4x</p>

	M8x12	M	8x
	M8x30	N	8x
	M10x35	O	3x
	M6x16	P	4x
		R	8x



	M4x20	A01	4x
	M5x20	A02	4x
	M6x20	A03	4x
	M8x20	A04	4x
	M8x25	A05	4x
	M8x50	A06	4x
	fi15 x fi8,4 x 5	A07	4x
	fi15 x fi8,4 x 10	A08	4x
	M8	A09	4x
	M5	A10	4x

