

TRE100

Videoconferencing Trolley
for 75"-105" screens



This is an excellent choice for users looking for a practical solution that meets the highest expectations. It has been designed to provide comfort during a video conference, speech or public presentation. TRE100 is perfect for all professional applications in conference rooms, office rooms and educational facilities. It is mobile and allows practical use in any arrangement due to its ergonomic shape and stable aluminum structure. The TRE100 videoconferencing trolley is equipped with a system that protects the monitor against falling and ensures intuitive adjustment of screen height. AV accessories, such as a laptop or camera, can be placed on shelves that are fitted directly to the vertical column. In addition, the integrated cable management system provides smart installation and makes the finished solution look very aesthetic.

FEATURES:

- Modern design with high-end finish
- Stable and durable aluminum structure
- Horizontal or vertical screen installation
- Seamless adjustment of screen height
- Shelves can be fitted directly to the supporting column
- Non-marking braked castors
- Integrated cable management system for smart installation



42"-75"



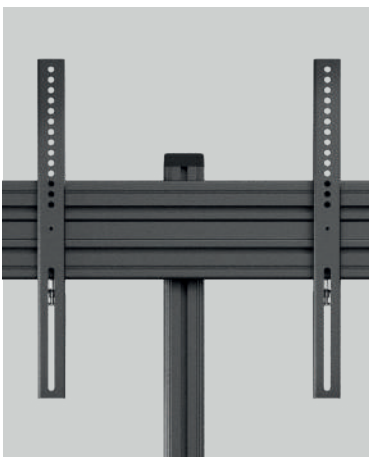
70kg



100x100
600x400



RoHS
Compliant

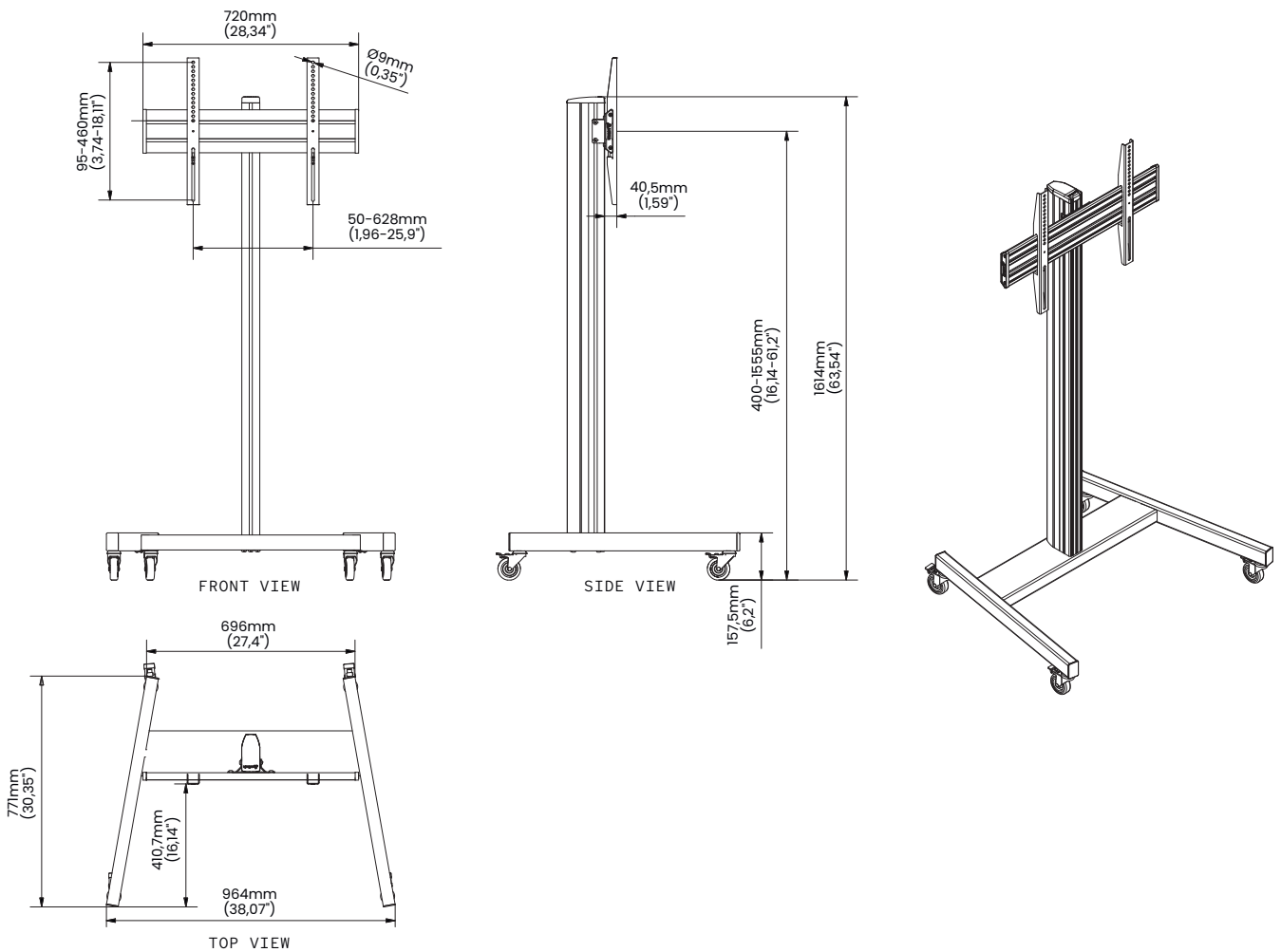


PRODUCT SPECIFICATIONS

Short index	TRE100
Category	Trolleys & Stands
Product group	Trolleys
Colour	Black
Warranty	Limited 5-years
Number of screens	1
Minimum screen size	42"
Maximum screen size	75"
Maximum load	70 kg
VESA Mounting Compatibility	100x100 up to 600x400

TECHNICAL SPECIFICATIONS

Product dimensions	W: 964mm D: 771mm H: 1614 mm (W:38,07" D:30,35" H:63,54")
Product weight	28,36 kg (62,52 lb)
Max. distance from floor to screen centre	1555 mm (61,2")
Min. distance from floor to screen centre	400 mm (16,14")
Max. mounting pattern	628 mm x 460 mm (25,9 x 18,11")
Min. mounting pattern	50 mm x 95 mm (1,96 x 3,74")



LOGISTICS DATA

SAP INDEX	EAN CODE	COLOUR	PACKAGE DIMENSIONS	PACKAGE WEIGHT
WWTR-TRE100	5902841100725	BLACK	1830 x 110 x 185mm 72,05 x 4,33" x 7,28"	30,06 kg 66,27 lb

HS Code (Harmonized System): 732690, HTS Code (Harmonized Tariff Schedule): 7326909890, Country of Origin: Poland