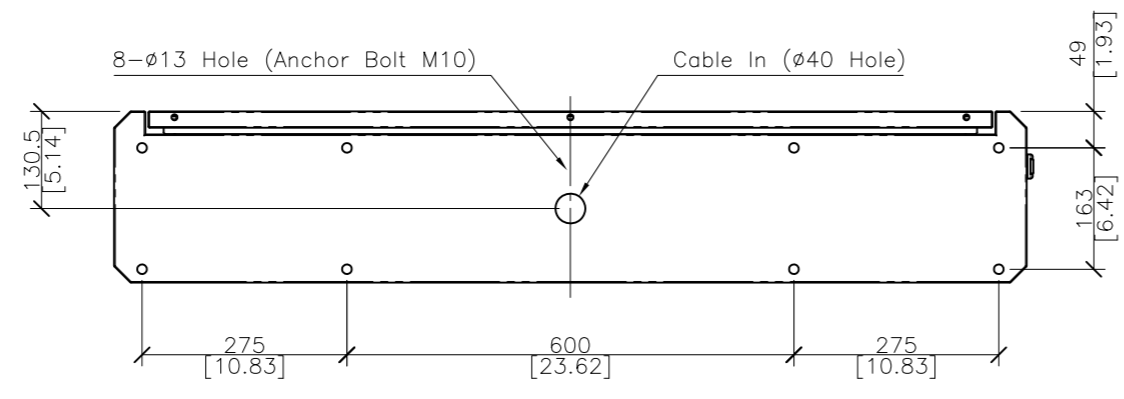
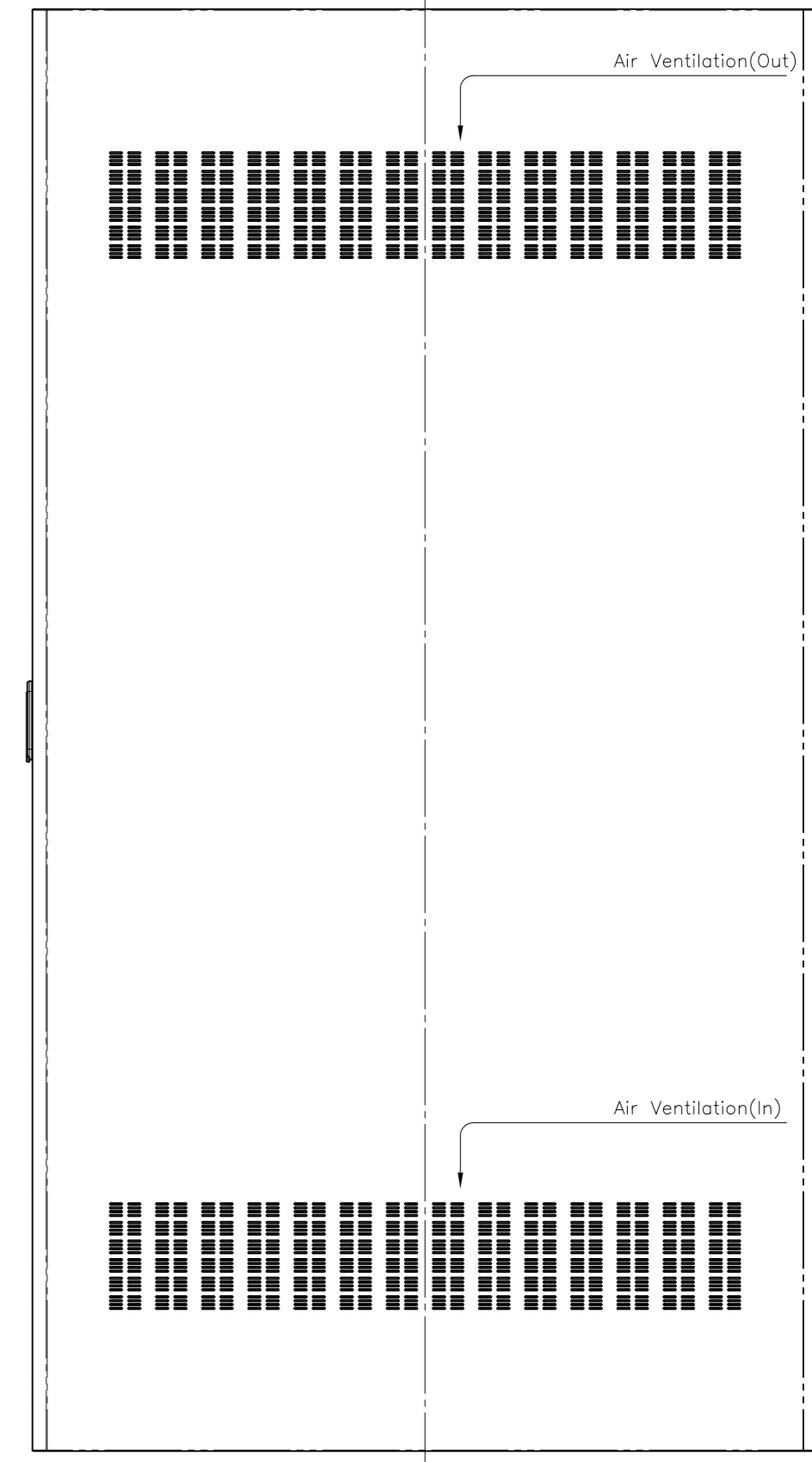
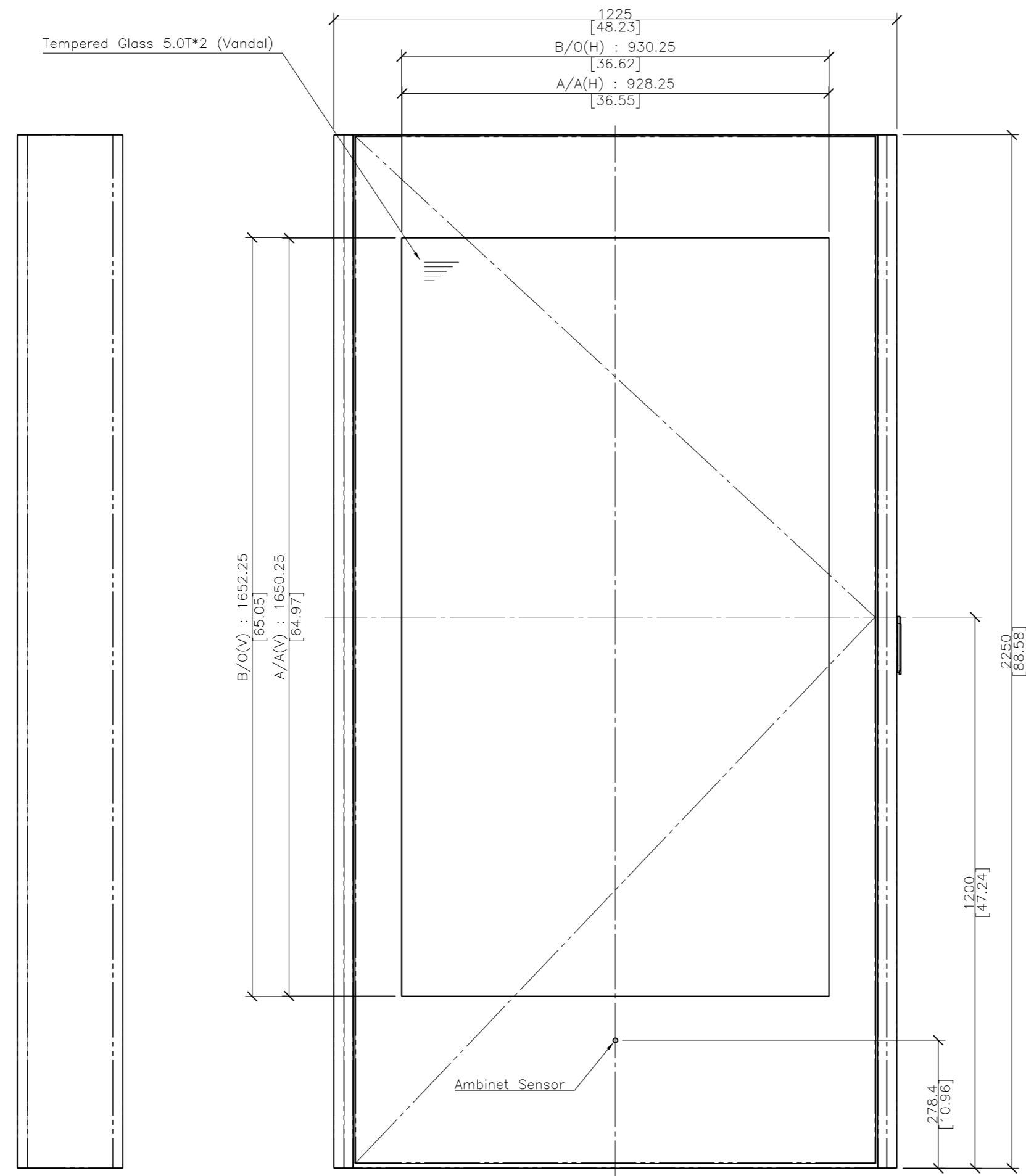
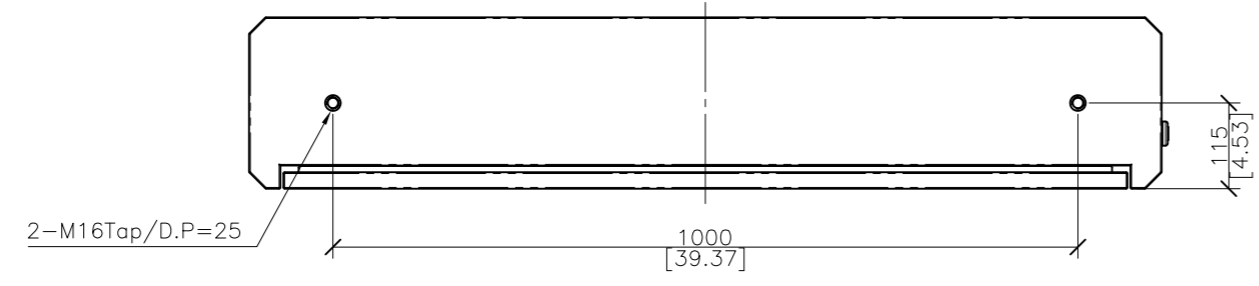


REV. NO		REV. HISTORY	LTR	ECO NO	DATE	APPR'L
DWG	PART					
00	00	INITIAL RELEASE	-	-	-	-



NOTES,
1. Cable Entry : Cable Gland("IP66" or more certified products should be used)

DRAWN	PLANNED	CHECKED	APPROVED	UNLESS OTHERWISE SPECIFIED ALL DIMENSION ARE IN MILLIMETERS	ANGLE 3rd.	TITLE : H757SS Series EXTERIOR VIEW	UNIT : mm
S.W.SEO	S.H.JANG	S.H.JANG	Y.T.KIM	TOLERANCES ARE: LINEAR : X ± 0.20 X ± 0.1 XX ± 0.01 ANGLES : ± 0.1° RADIJ UNLESS NOTED : R 0.3	SCALE : 1/10		TYPE : ASSY
'15.05.29	'15.05.29	'15.05.29	'15.05.29	MODEL NAME (CODE): H757SS*	CUSTOMER: HDIT	DWG REV : 01	SIZE : A2
FILE NAME : LAYOUT_H757S_150511.DWG				SHT NO : 1/1		DWG(PART) NO. H757SS_001	

This drawing is the property of HYUNDAI IT Corp. and should not be disclosed to any third party without prior permission of HYUNDAI IT Corp.