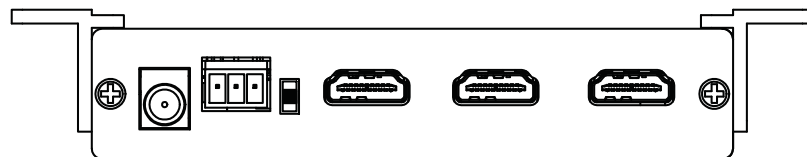
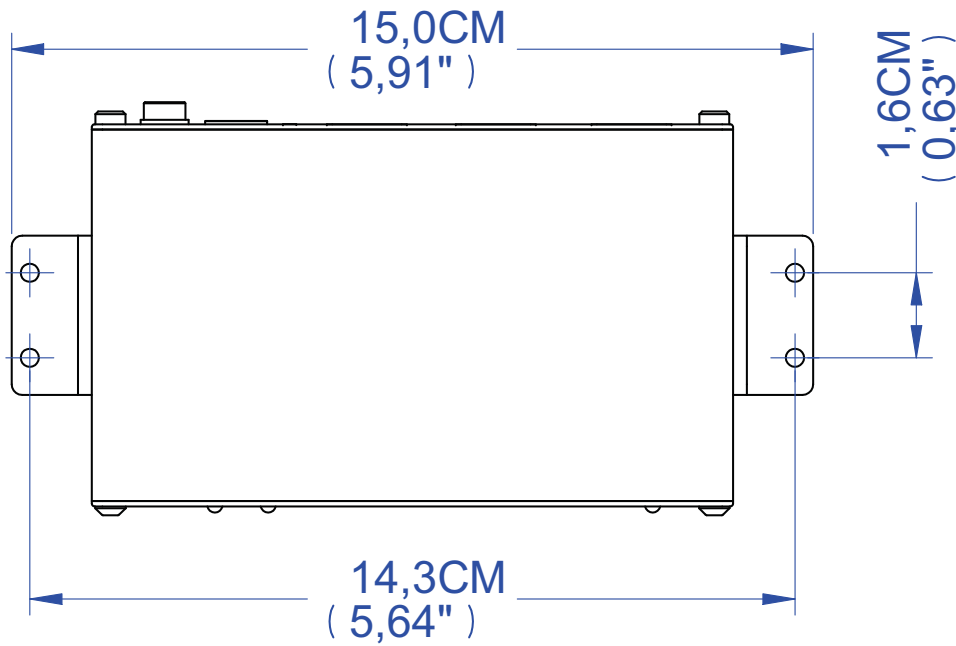
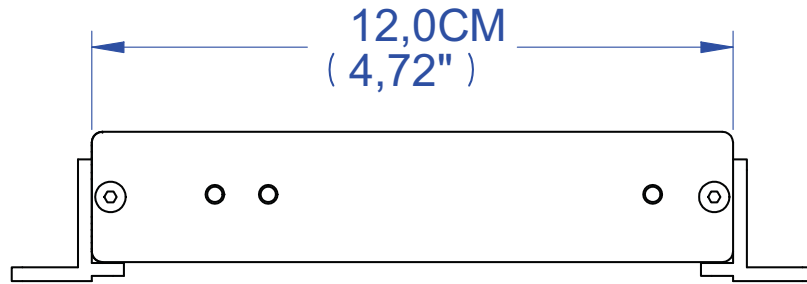
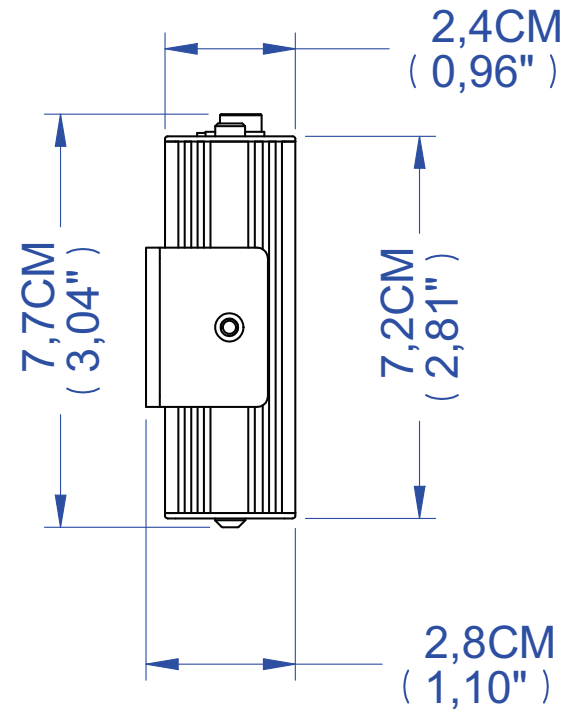



REV	DESCRIPTION	ECO NO.	DATE	APPROVED
1	PRELIMINARY		DD . MM . YY	



VS-211H



	NAME	DATE	 KRAMER ELECTRONICS LTD. JERUSALEM, ISRAEL
DRAWN	ihassidim	16/Dec/09	
CHECKED			
ENG APPR			
MGR APPR			PART: VS-211H-OUTLINE
UNLESS OTHERWISE SPECIFIED DIMENSIONS ARE IN MILLIMETERS ANGLES ±0.5° LINEAR ±0.2 HOLES +0.2			SIZE A3 KRAMER P.N.: VS-211H-OUTLINE REV 1
			File name: VS-211HDMI-OUTLINE.dft Project: VS-211H Sheet 1 of 1