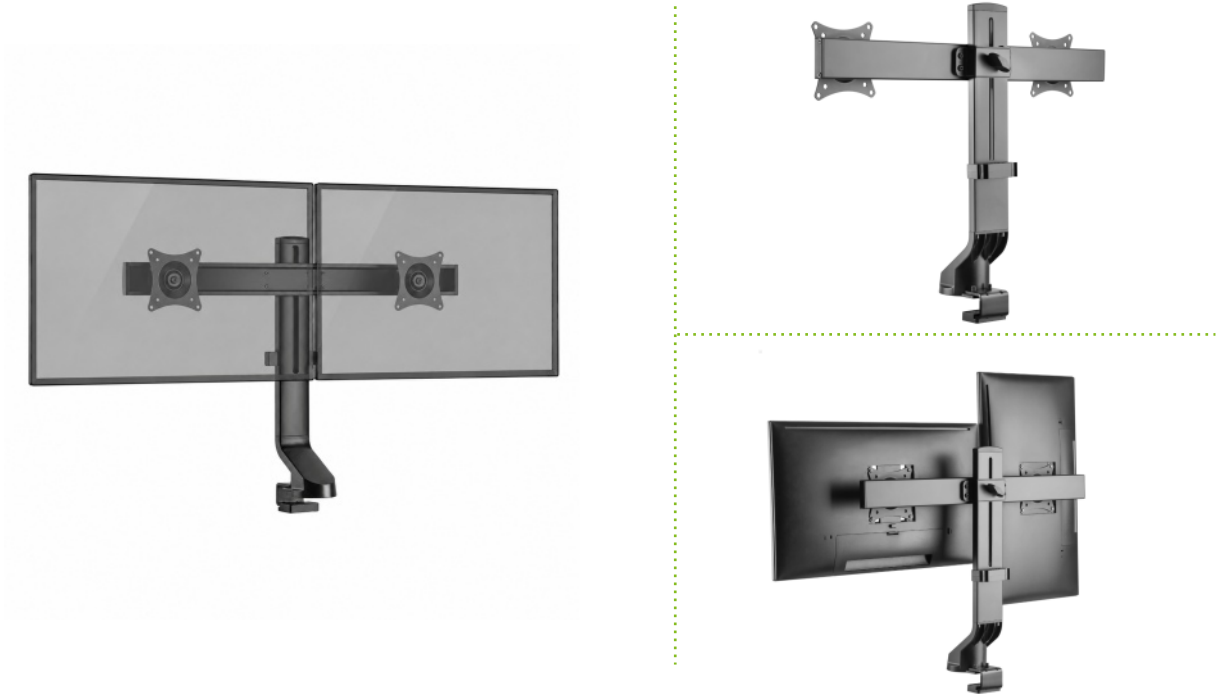


## MonLines MTH022B

### dual Monitor desk mount up to 32 inch



### Description

The MonLines MTH022B Dual Monitor Desk Mount for up to 32-inch monitors, height-adjustable, black is the first monitor mount specifically developed for use with height-adjustable desks. After extensive research and testing of numerous monitor arms, the MonLines development team found that no existing product on the market was designed to meet the unique requirements of sit-stand workstations—until the MTH022B. Thanks to its exceptionally wide height adjustment range of 240–470 mm (9.4"–18.5"), the monitor arm seamlessly follows the movement of a height-adjustable desk, ensuring an ergonomic viewing angle at all times. The durable construction, made of steel, aluminum, and plastic, features an elegant matte black powder-coated finish that blends perfectly into modern office environments. The MTH022B supports up to 7 kg (15.4 lbs) per monitor and accommodates screens from 17" to 27" with VESA 75×75 mm and 100×100 mm mounting standards. Smooth adjustment knobs allow convenient customization of the tilt and swivel range (+10°/-10°), while the monitors can also be rotated ±180° for optimal positioning. An integrated cable management system keeps the workspace neat and organized. The mount can be installed either using a desk clamp or a grommet mount, both of which are included in the package.

### Key features

Screen Size:	17"–27"
VESA Standard:	75×75 mm, 100×100 mm
Weight Capacity:	Max. 7 kg per monitor
Height Adjustable:	240–470 mm
Tilt:	±10°
Swivel:	±10°
Screen Rotation:	±180°
Mounting Options:	Desk clamp / grommet mount (10–40 mm)
Inductive Charging:	Wireless and convenient charging