

smart:)things



smart:)things

Designed in Germany.  
Made in China.



Wallmount.  
Photoframe.  
Docking Station.



AirPlay, iPad, iPhone, iPod classic, iPod nano and iPod touch are trademarks of Apple Inc., registered in the U.S. and other countries. Lightning is a trademark of Apple Inc.

"Made for iPod," "Made for iPhone," and "Made for iPad" mean that an electronic accessory has been designed to connect specifically to iPod, iPhone, or iPad, respectively, and has been certified by the developer to meet Apple performance standards. Apple is not responsible for the operation of this device or its compliance with safety and regulatory standards. Please note that the use of this accessory with iPod, iPhone, or iPad may affect wireless performance.

sDock mini



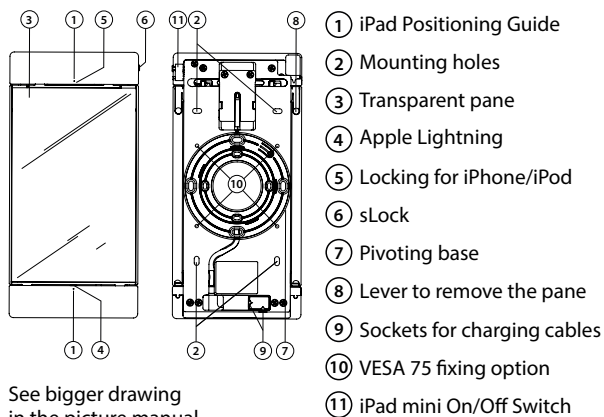
smart things solutions GmbH  
Schulstraße 29  
82234 Weßling, Germany  
[www.smart-things.com](http://www.smart-things.com)

## Congratulations!

You have purchased the smart things sDock mini wall mount. We put a lot of effort into the development and have selected only materials of the highest quality. The production of our products is subject to strict quality controls. However, in case you should detect material or manufacturing defects, please contact the retailer where you have purchased the product. We hope that you will thoroughly enjoy our product.

## Safety Instructions

Handling the sDock mini is very easy. However, we would like to ask you to take a moment to read the mounting and operating instructions carefully to avoid mistakes.



See bigger drawing in the picture manual.

## Correct Use

Please use this product only with these Apple products together with the cables and chargers approved by Apple. The sDock mini wall mount was developed for the use in environmental conditions normally found in private homes and office buildings. Please avoid positioning the product in areas with high exposure to sun radiation, extremely warm or cold temperatures, high humidity or moisture.

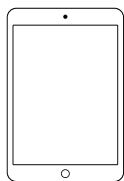
The sDock mini wall mount was developed for the use with Apple products and has been approved for the following products:



iPhone 5  
16GB 32GB 64GB



iPhone 5s  
16GB 32GB 64GB



iPad mini  
iPad mini 2  
16GB 32GB 64GB 128GB

## Mounting

Make sure that the wall has sufficient bearing capacity for mounting the product. Please note that the wall fixing has to carry a multiple of the wall mount's weight. Depending on the wall materials it could be necessary to use special fixing items (e.g. cavity fixing, etc.). The supplied screws and rawl plugs are suitable for mounting the product on walls made of solid timber, stone, concrete, or timber posts only. Take extra caution not to damage gas or water pipes or electric wiring in the wall!

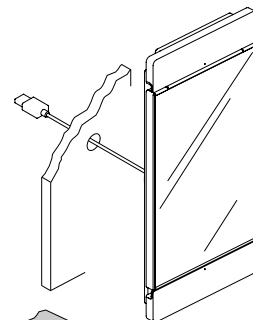
### Attention!

The transparent screen covering the clip-on screen is only held by clamping in the frame. Please be aware, that the transparent screen can fall off if you mount it on slanted surfaces (e.g. slanting ceilings in the attic). Risk of injury!

## Power supply out of the wall

sDock mini allows a power supply out of the wall. Only a professional electrician is allowed to make such an installation.

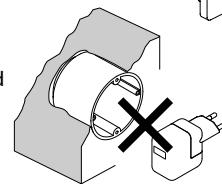
Take care that the power supply in any case has enough air supply. **Overheating may cause fire!**



### Attention!

The Apple power supply delivered with the iPad is not approved for use in a wall box.

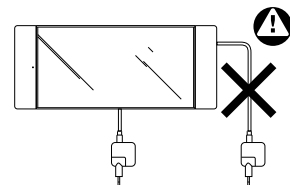
**Fire danger!**



## USB micro ports

### Attention!

The USB micro ports are not designed as a USB Hub.



Do only connect a single charger!

## Maintenance

Clean your sDock mini with a micro fiber cloth or a soft, damp cloth. Never use aggressive cleaning substances.

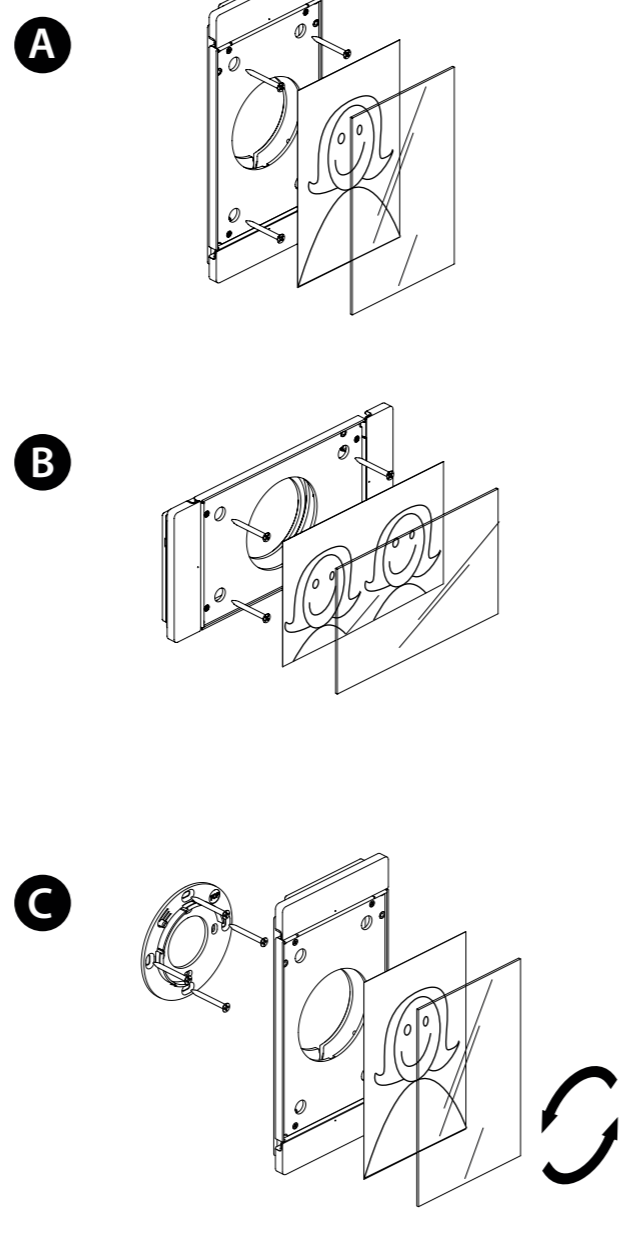
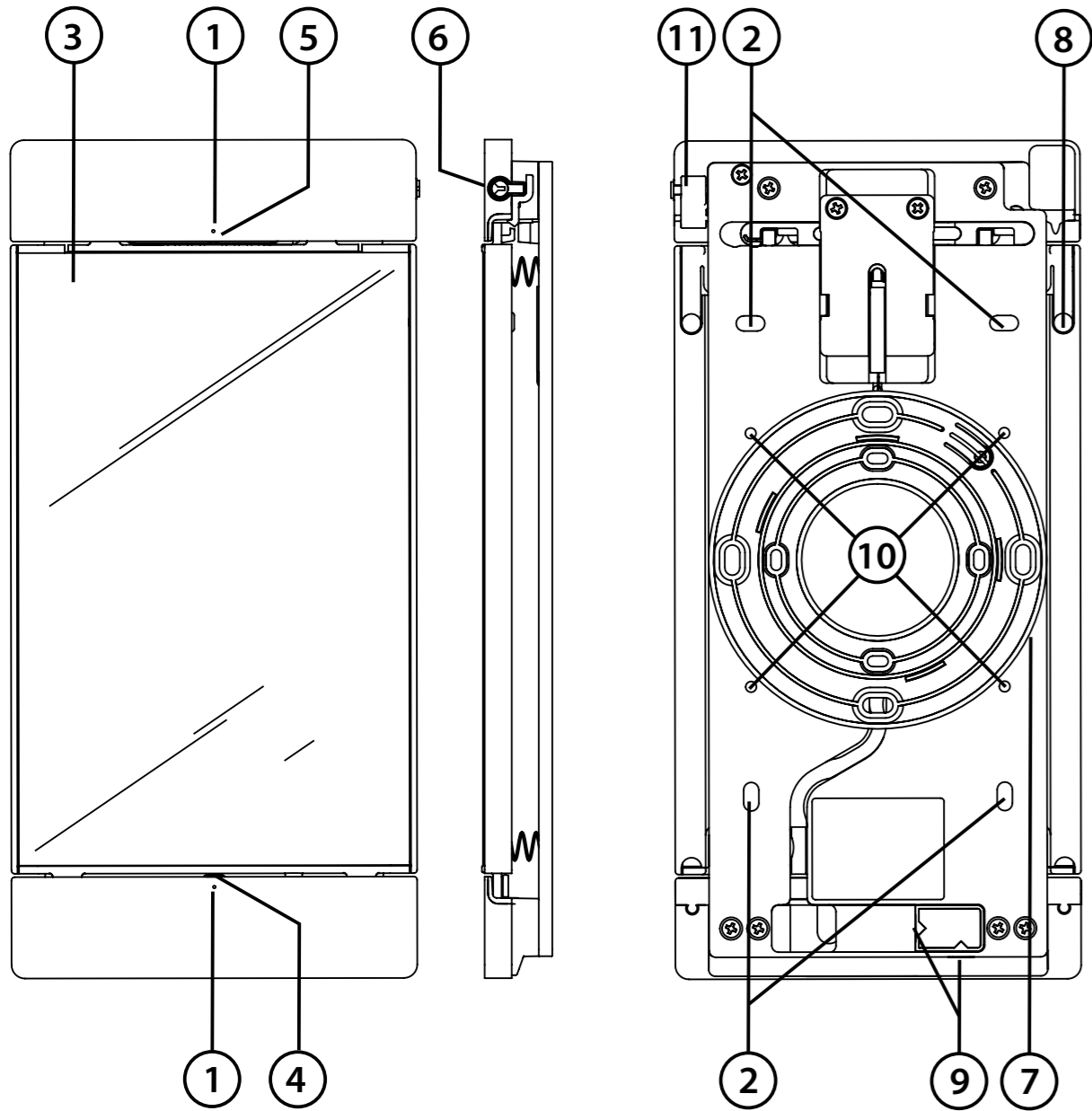
Attention! Please detach all cables before you clean it.

## Proper Disposal

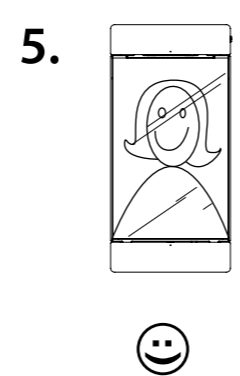
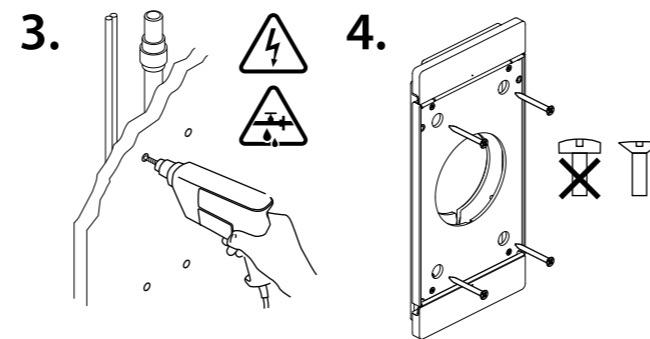
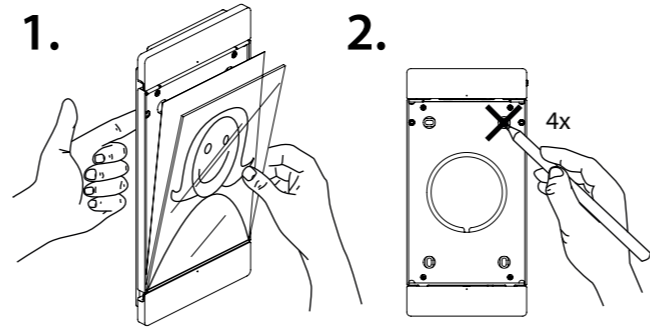
Once finished using, please dispose of the sDock in an environmentally responsible manner.

According to EU regulation 2001/96/EC and 2006/ 66/EC it does not belong in the household garbage! Bring it to a respective collection point or return it to the place of purchase.

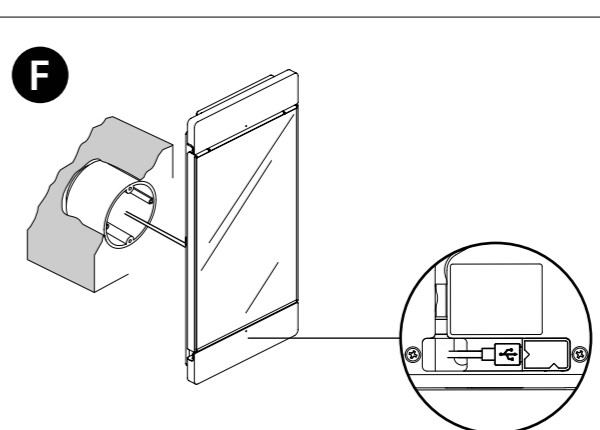
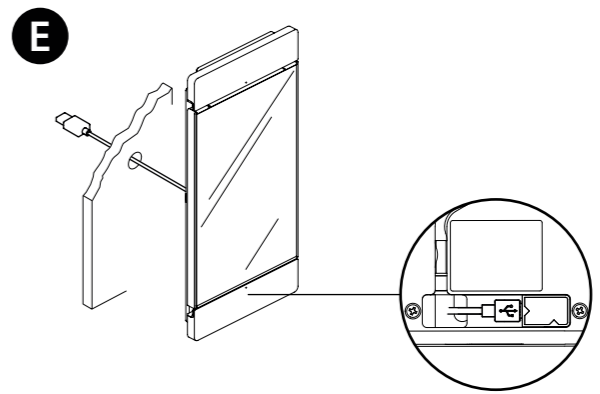
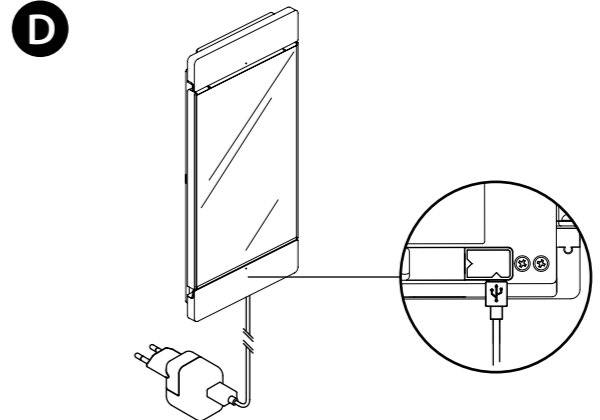
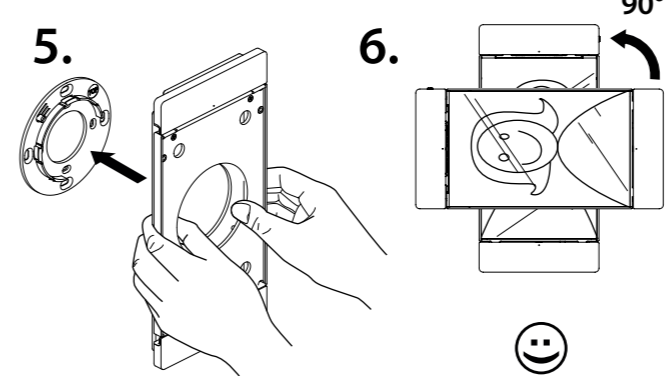
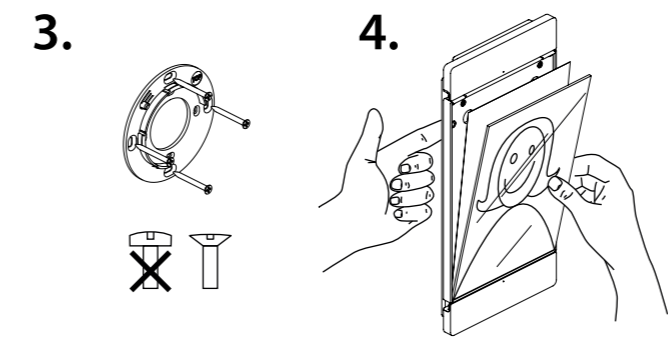
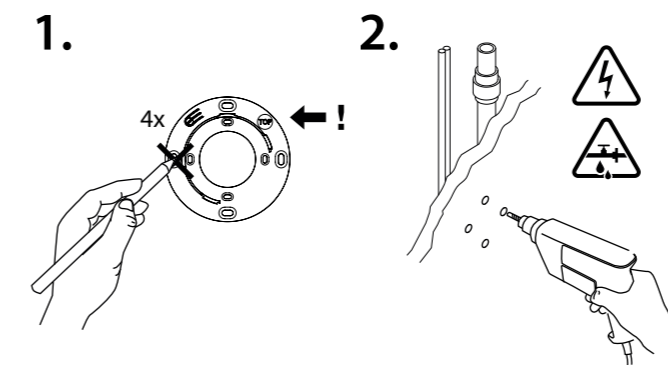
Designed in Germany.  
Made in China.



**A B**



**C**



Made for  
**iPhone iPad**

AirPlay, iPad, iPhone, iPod classic, iPod nano and iPod touch are trademarks of Apple Inc., registered in the U.S. and other countries. Lightning is a trademark of Apple Inc.

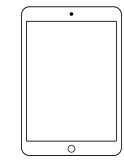
"Made for iPod," "Made for iPhone," and "Made for iPad" mean that an electronic accessory has been designed to connect specifically to iPod, iPhone, or iPad, respectively, and has been certified by the developer to meet Apple performance standards. Apple is not responsible for the operation of this device or its compliance with safety and regulatory standards. Please note that the use of this accessory with iPod, iPhone, or iPad may affect wireless performance.

**CE FC**

smart things solutions GmbH  
Schulstraße 29  
82234 Weßling, Germany  
www.smart-things.com

smart:)things





iPad mini  
iPad mini 2  
16GB 32GB 64GB 128GB



iPhone 5  
16GB 32GB 64GB



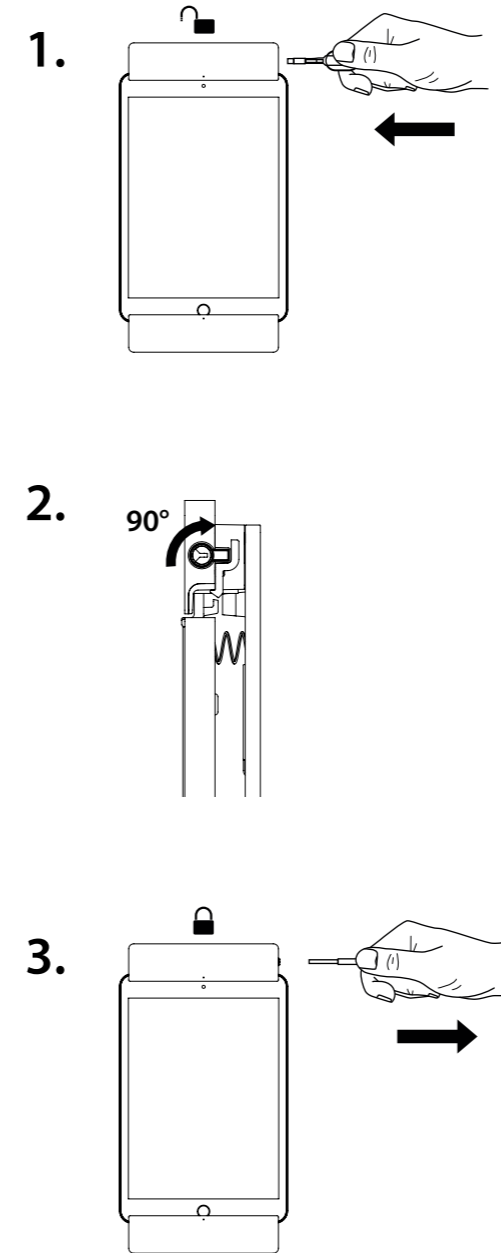
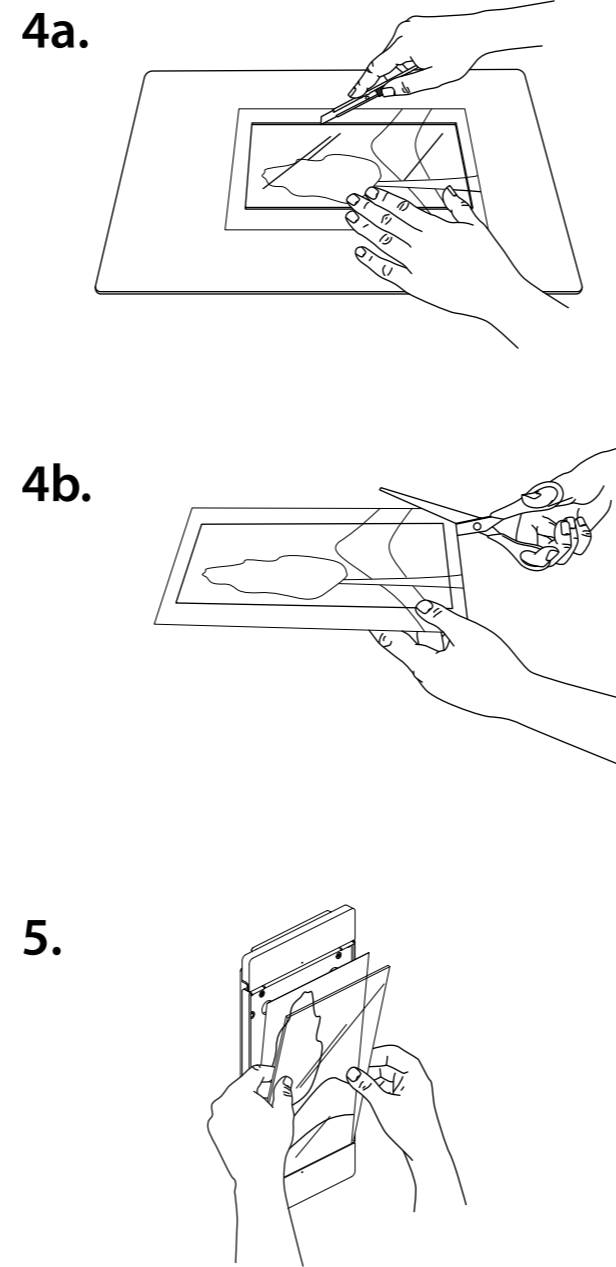
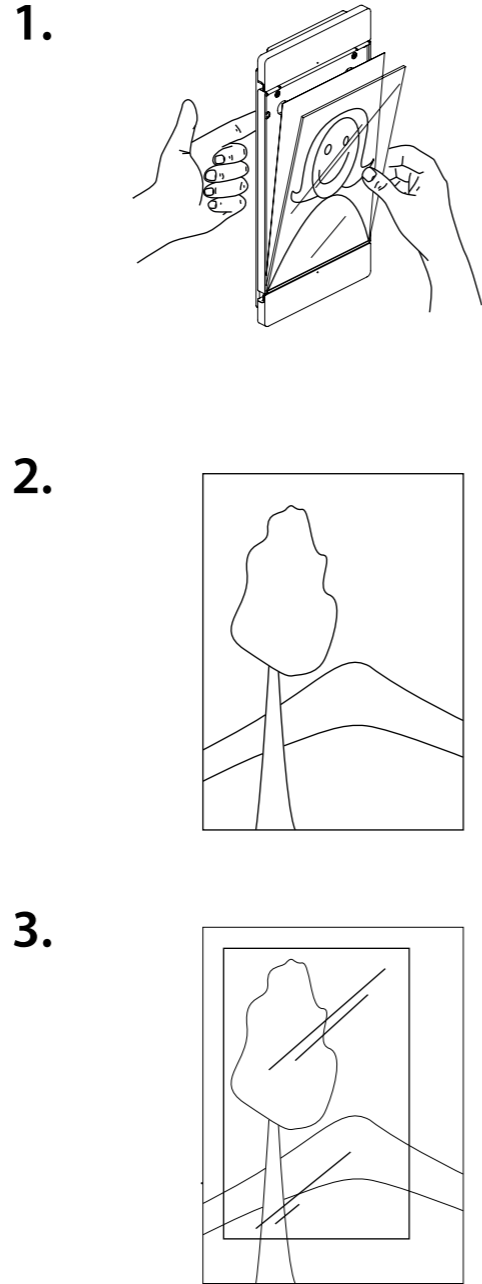
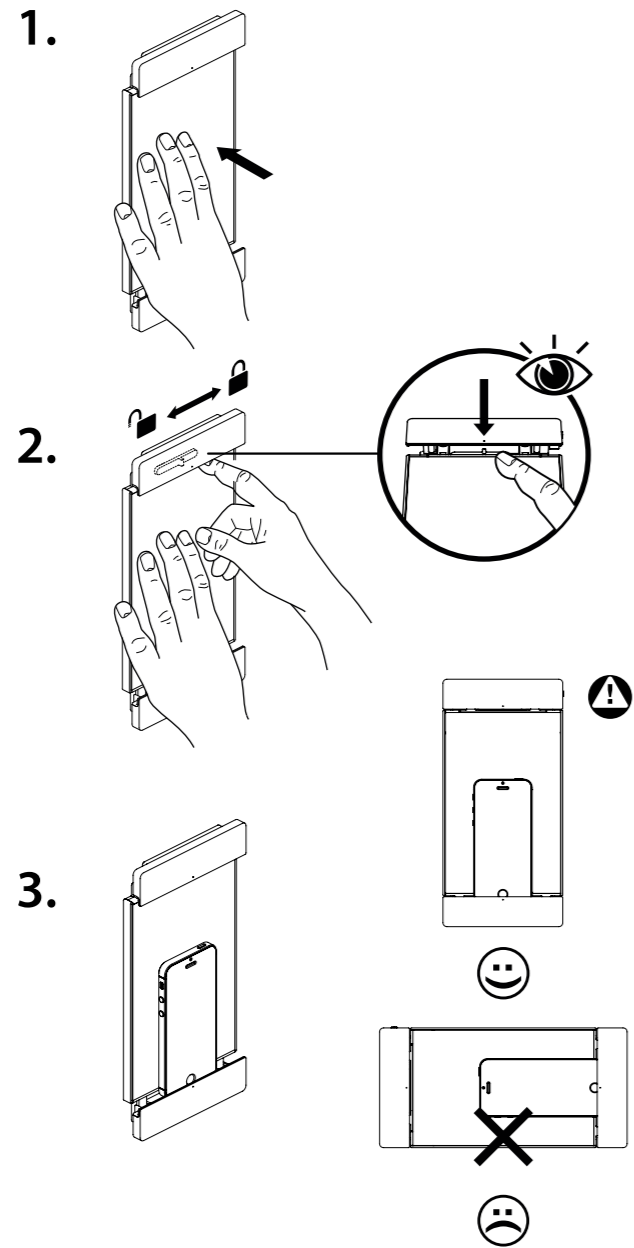
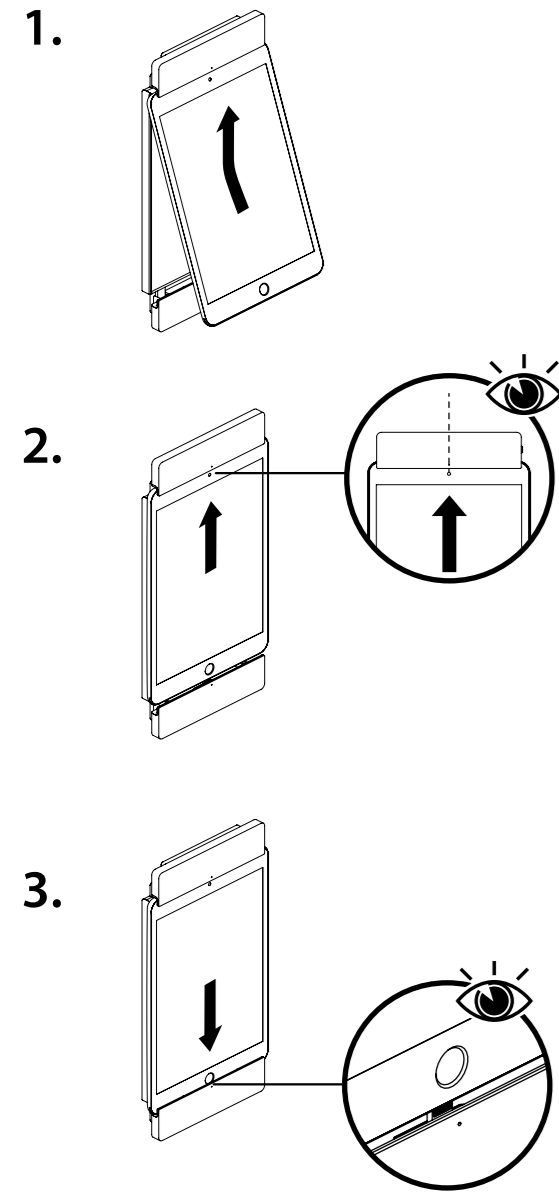
iPhone 5s  
16GB 32GB 64GB



# sLock



smart:things



Wallmount.  
Photoframe.  
Docking Station.

sDock mini

