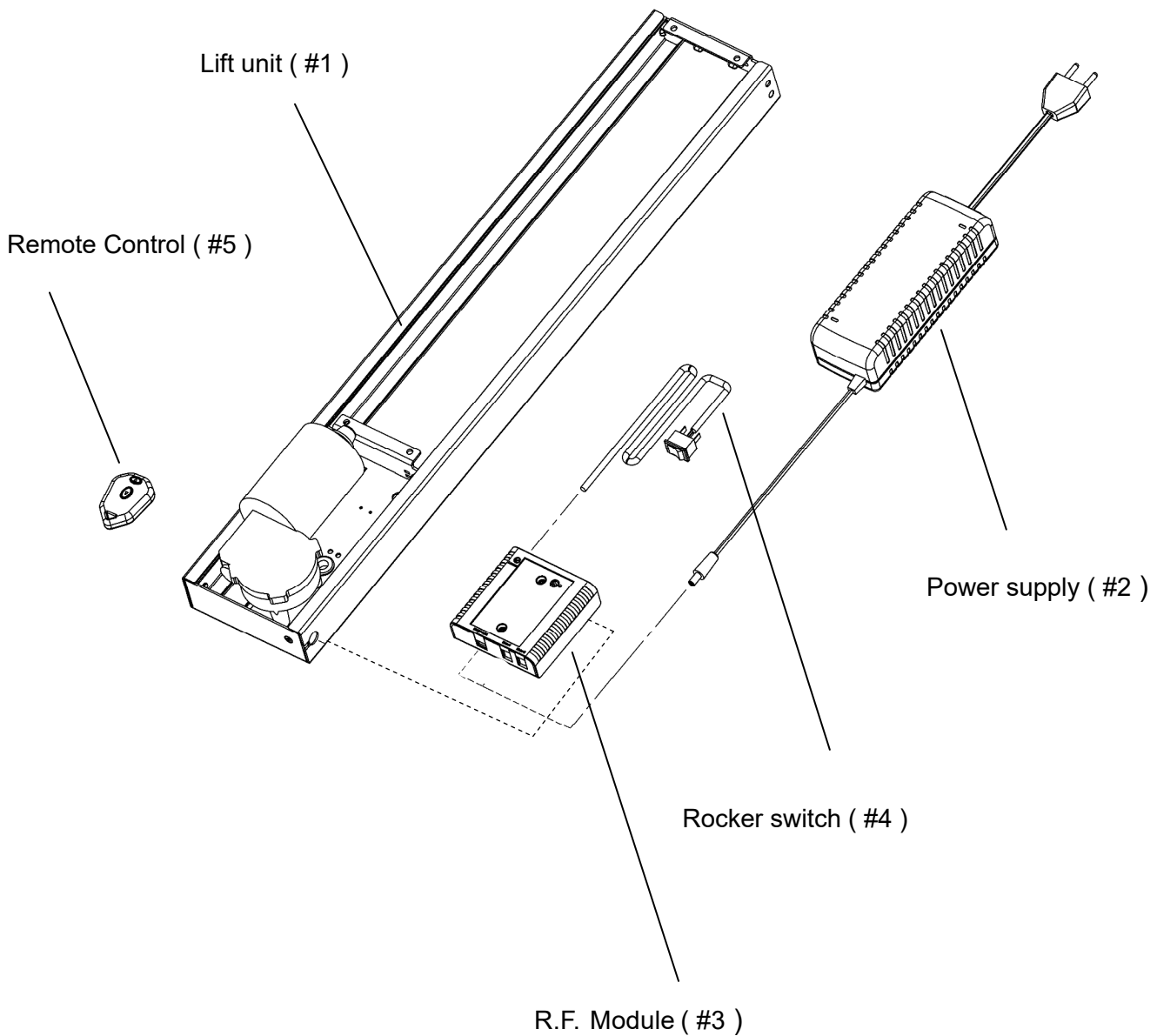


Electrical Flat Lift, TS460A / TS460B



Parts included with your Flat Lift

- Lift unit (#1)
- Power supply (#2)
- R.F. Module (#3)
- Rocker switch (#4)
- Remote Control (#5)



Load: Min. 5 kg / Max. 50 kg
Reverse function setting only for flat lift TS460A
Lift configured for standard vertical mounting – see possibilities in Remote system instruction.

Important safety Instructions

CAUTION: Before you begin any of the Installation procedures on page 4, read and follow the warnings and safety instructions on this page.

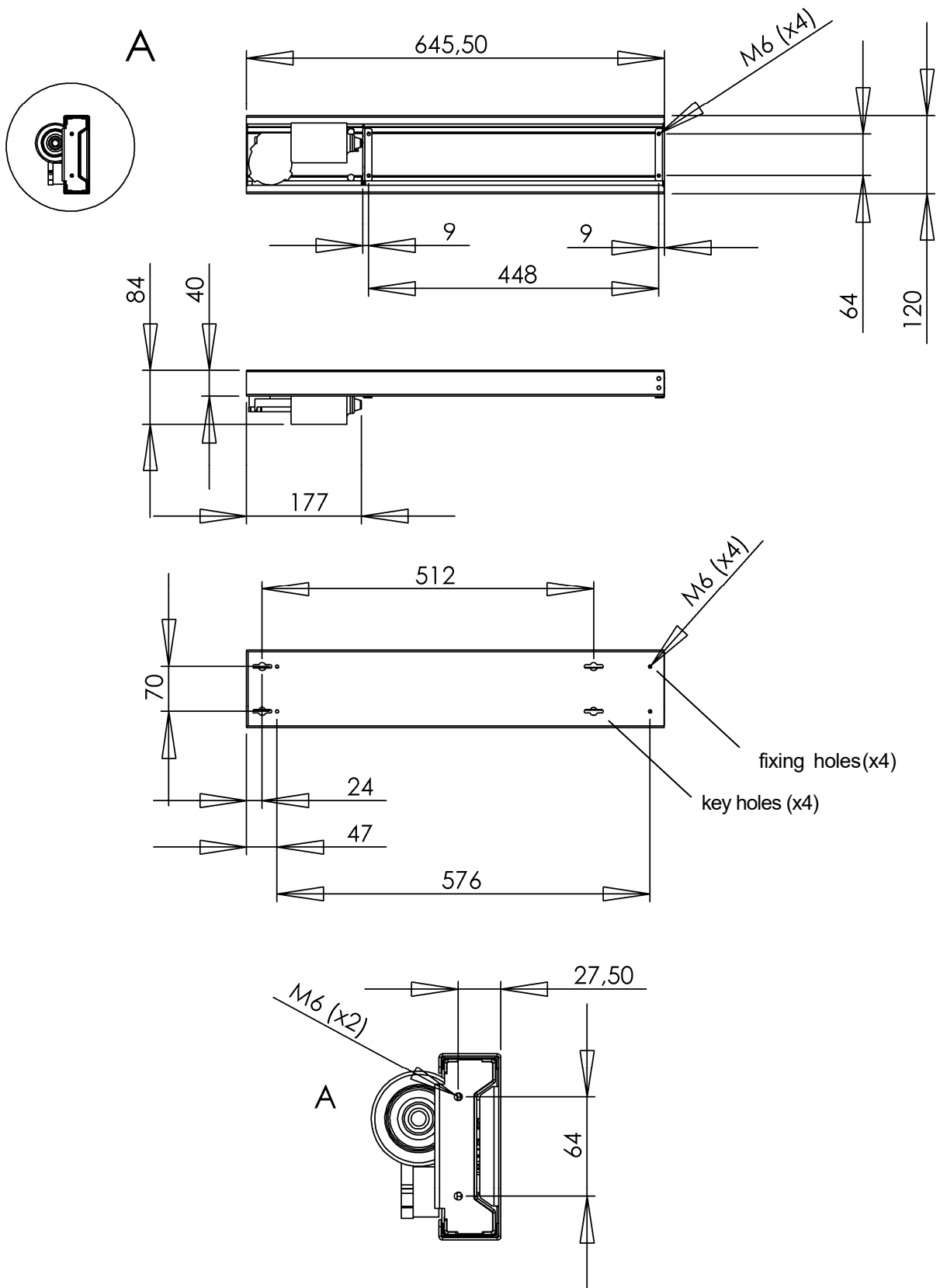
WARNING ! THIS IS NOT A TOY !

**WARNING ! CHILDREN SHOULD NOT OPERATE LIFT OR
REMOTE CONTROL !**

Use the following safety guidelines to help protect your lift from potential damage and to ensure your own personal safety.

- Read all the installation instructions before testing or installing your lift.
- Read and follow all safety instructions.
- Keep remote control out of reach of children.
- To prevent bodily injury keep hands and clothing away from the lift while the lift is in operation.
- Before installing the lift or working with its connections, unplug the lift from the electrical shock.
- Do not install the lift, power supply or R.F. module in places subject to extreme temperatures for example near a radiator, or heating vent.
- To avoid damaging the power supply, R.F. module and power cord, do not put anything on it or place it where it could become damaged.
- Unplug the lift in the following conditions:
 - When the power cord or plug is damaged or frayed.
 - If liquid has spilled into the lift, power supply or RF module.
 - If the lift, power supply or RF module has been exposed to rain or water.
 - If the lift exhibits a distinct change in performance, indicating a need for servicing.
- MANUFACTURERS who build this Flat Lift into other products or use it with other products, MUST make sure to prevent bodily injury. The MANUFACTURER is responsible to give the end user proper warnings and instructions for use.

Main measures



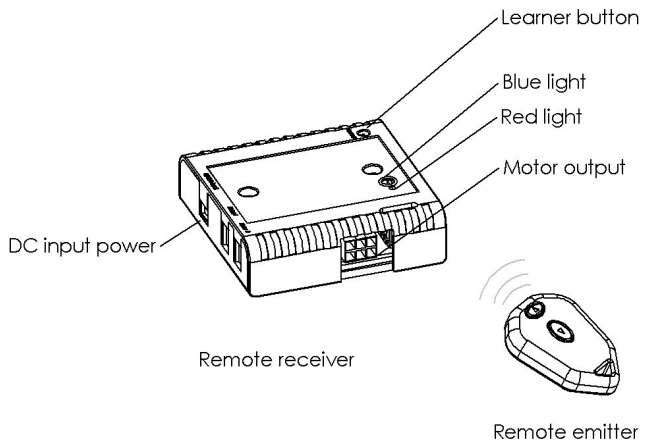
Mounting guideline

- 1) Remove all contents from packaging and compare with parts list.
- 2) Place the lift unit (#1) on e.g. the back panel of cabinet in a location that will allow full up and down movement of the lift.
- 3) Fasten the unit securely to the cabinet. Screws must be appropriate for the material being used.
- 4) Connect the plugs from lift unit (#1) and power supply (#2) to R.F. Module (#3). Please also refer to the user instruction packed along with the remote unit.
- 5) Mount rocker switch (#4) on wanted location by cutting a hole and pressing the switch into place. Secure excess wire to keep away from moving parts.
- 6) Plug the power cord into wall outlet and test the lift. If the unit doesn't work, check all connections and retry. If still not working, refer to trouble shooting guide.

User instruction, RF remote system

Installation

oconnect the powersupplyand the motor unit to the remote receiver. 2 different plug sizes make this connection only possible to make in the right way
oafter havingconnectedthe plugs, the blue light will be lightning
opush the emitterbuttonsand the motor unit will move up and down
ofor stoppingthemotionone of the buttons need to be pushed



Learning

oif the remote receiver do not respond when pushing the emitter buttons, reset the receiver. After that, code the emitter and receiver together again

Coding

opush the learner button on the receiver for less than 1 sec.
opush one of the emitter buttons
othe red light will start flashing
opush one of the emitter buttons again and the red light will turn off
othe units now are coded together with a unique code

Reset

- o push and hold down the learner button on the receiver for 10 sec. (will be reset when the red light turns off).

External rocker switch

- o the external rocker switch can be connected to the receiver, if a fixed operation unit is required.

Trouble shooting

- o check the plug connections
- o check whether the blue light is on
- o reset the receiver and make a new coding

Setting options for operation of lift

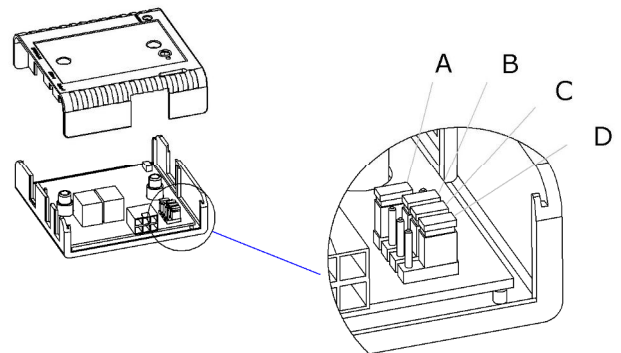
This remote system has 4 'jumpers' inside the remote receiver box, these can be lifted and positioned 'Left' or 'Right' depending of how the functionality of the lift should be.

Jumper A – Power safety cut off time
Default 'Left' = 60 seconds. If moved to right position then the lift will power off automatically after the motor has run for 20 seconds.

Jumper B – Remote emitter function
Default 'Right' = the buttons on the emitter only need to be pushed once for activation. If moved to the left position then the emitter button will need to be held down during the operation of the lift, ie..for use where a higher level of safety may be required.

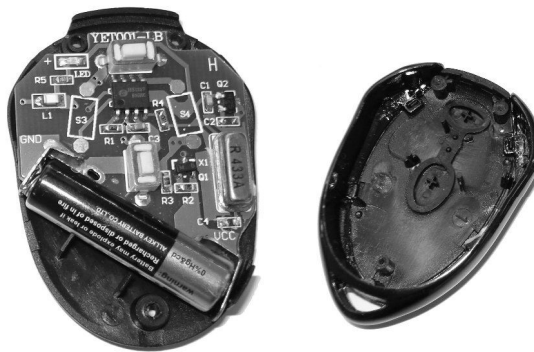
Jumper C – Auto-reverse time (type A lifts only)
Default 'Right' = a reverse period of 1 second. If moved to the left position, the reverse time is reduced to 0.6 of a second.

Jumper D – Using the lift upside down (type A lifts only)
Default 'Right' = normal operation in an upright position ie.. to raise a TV up and down from a floor standing cabinet. If moved to the left position the reverse function will work with the lift mounted up-side down ie.. to lower down and up a TV from the bottom of a wall mounted. If no reverse function is required then remove the jumper.



Change of battery in emitter (type 27A/12V)

- remove lid on backside
- lift up battery
- place new battery



FCC Statement

This device complies with Part 15 of the FCC rules. Operation is subject to the following two conditions; 1) This device may not cause any harmful interference and 2) This device must accept any interference received, including interference that may cause undesired operation.

Declaration of conformity

We hereby declare, under our sole responsibility that the following products:

- VENSET electric TV-lift mechanism products type TS460A / TS460B

which are covered by this statement, are in conformity with the following standards and other normative documents::

- Council Directive 89/336/EØF with later changes
- Council Directive 73/23/EØF with later changes

Manufacturer:

VENSET A/S, Nygade 63, DK-6900 Skjern, Denmark
Tel: +45 9735 4611, Fax: +45 9735 4631, www.venset.com

The information in this document is subject to change without notice.

EF – komponenterklæring type "bilag II B"

EEC Declaration of a component "appendix II B"

Fabrikant (navn og adresse): VENSET A/S, Nygade 63, DK-6900 Skjern, Denmark
Manufacturer (name and address):

Erklærer hermed, at følgende produkt:
Hereby certify that the following product:

Benævnelse, mærke, type: TS460 7SXX1
Description, ID/mark, type:

Evt. serienr.:
Serial No. if any:

Evt. bemyndigede organ og nr. Teknologisk Institut, Århus, Denmark
Notified body if any:

Evt. EF- typeattest:
EEC-type certificate if any:

Evt. Harmoniserede standarder:
Harmonised standards if any:

Er fremstillet i overensstemmelse med bekendtgørelse nr. 561 af 24. juni 1994, der gennemfører EUROPA-PARLAMENTETS OG RÅDETS DIREKTIV 98/37/EF
Made according to announcement No. 561 of June 24, 1994 that implements the DIRECTIV 98/37/EF

Ovennævnte produkt må **IKKE** tages i brug, før den maskine, hvori det er indbygget eller hvortil det skal anvendes er erklæret i overensstemmelse med alle relevante bestemmelser.
Above product may **not** be taken into use, before the machine into which is has been built in or to which purpose it must be used for, conform to any relevant regulations.

Navn, titel og underskrift af fabrikanten:
Name, title and signature of manufacturer:

08-11-2007
Dato/date

Michael Overgaard, Direktør

Underskrift/signature