

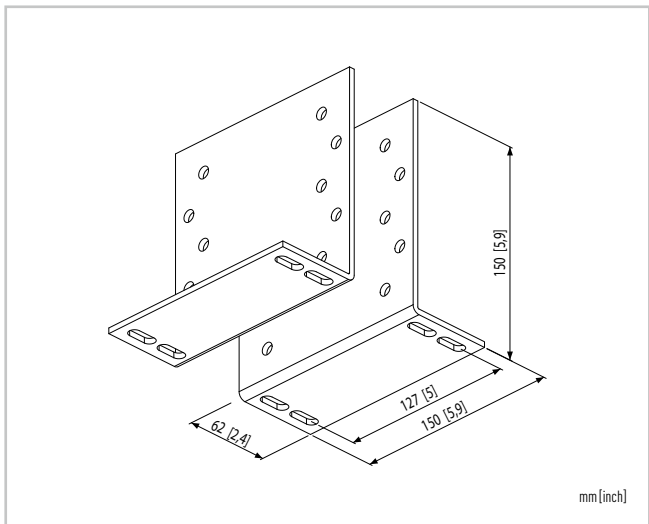
**PFA 9007**  
Joist adapter



MAX. (2x) 60 kg / (2x) 132 lbs (balanced)



- For attaching the PFA 9010 and PFA 9005 ceiling plate to wooden ceiling joists (see page 12)



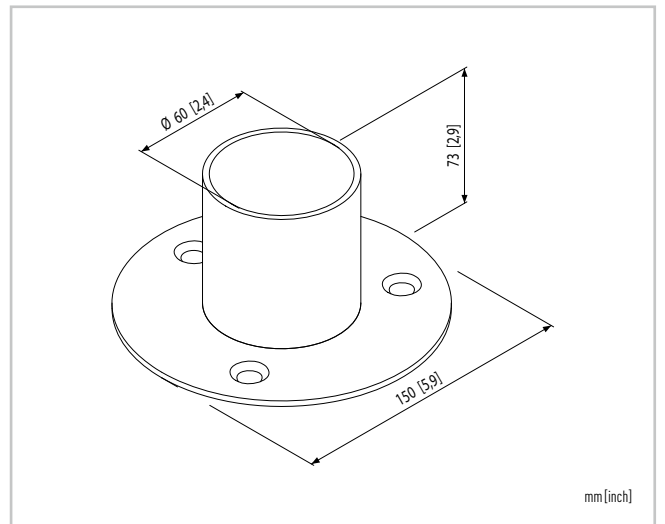
**PFA 9028**  
Floor plate



-



- Floor plate for floor-to-ceiling mounting of PFA extension tubes



Type nr.	Max.	Colour	TUV
PFA 9007	(2x) 60 kg / (2x) 132 lbs	●	✓P
PFA 9028	-	●	✓P

✓P = TUV for Professional use, ✓ = TUV  
Visit [www.vogels.com](http://www.vogels.com) for more information.