



Monitor desk mount  
PFD 8522



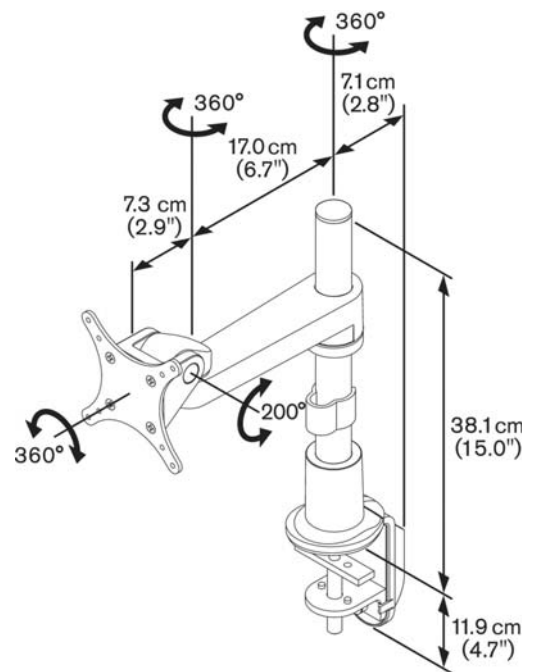
This Vogel's desk mount is designed for intensive professional use. Features like adjustable bearings, three point cable management and the special Flexmount™ provide outstanding performance and longlasting quality. The stylish design fits any décor or type of desk.



**Innovating the Audio/Video Experience**



## Monitor desk mount PFD 8522



The PFD 8522 offers everything you need to position your monitor comfortably and neatly. Set the height and move and rotate the monitor with the touch of a finger. Model PFD 8522 is equipped with 2 pivot points. With the adjustable bearings you can make the mount move as smooth as you like. The Flexmount lets you install the desk mount in 6 different ways. So you can be sure that the Vogel's desk mount will fit just about every desk set-up without having to buy additional accessories.

## Features

- Adjustable bearings
- Solid 3 point cable management
- Monitor rotation
- Flexmount™ – 6 mounting solutions in 1 mount

---

## Logistic information

- Packaging size: 279x381x95 mm
- Max. weight: 4 kg / 8 lbs
- EAN Code: 8712285318344