

PFF 2410
Display floor stand

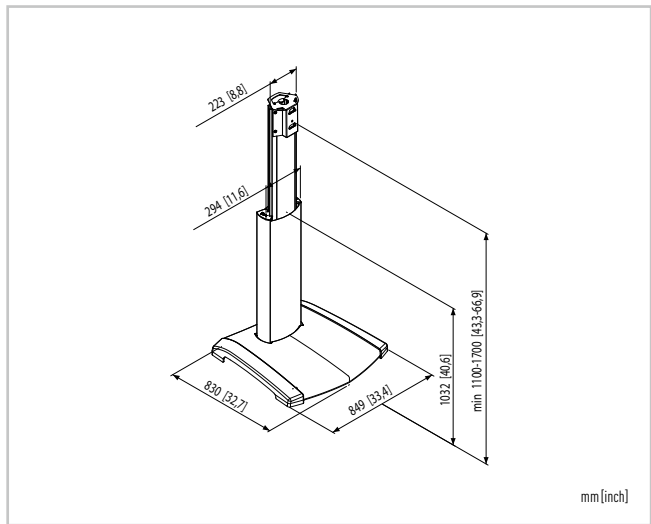


SIZE 81-165 cm / 32-65"

MAX. 70 kg / 154 lbs



- "Brand your Stand" front (easy customizable front)
- Height adjustable (110-170 cm)
- Autolock® locking system
- Cable storage under the base cover
- CIS® Cable Inlay System
- Mounting hole for anti theft cable
- NOT INCLUDING interface FAU 3125 / FAU 3150 (see page 11)



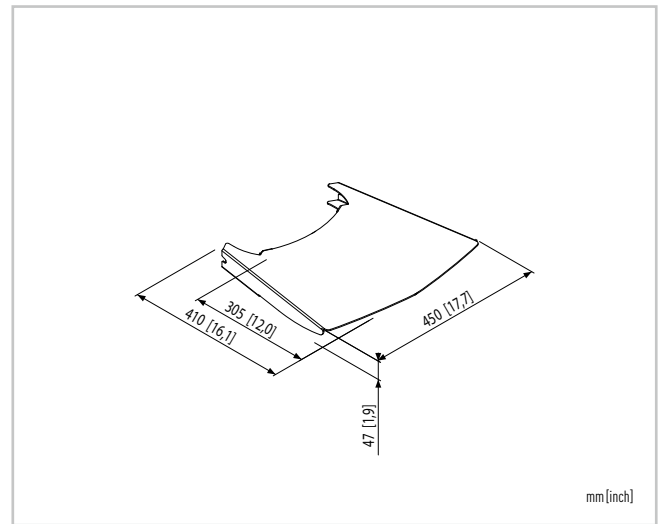
PFA 9033
Accessory shelf



10 kg / 22 lbs



- Optional accessory shelf for PPT 2300 / PFF 2410 / PFT 2510
- Variable height positioning
- Multiple shelves per trolley / stand possible
- Can be mounted on front or back



| Type nr. | SIZE | Max. | Colour | Adjustability | | | TUV | Interface |
|----------|--------------------|-----------------|--------|---------------|------|--------|-----|-----------|
| | | | | Tilt | Turn | Height | | |
| PFF 2410 | 81-165 cm / 32-65" | 70 kg / 154 lbs | ● | - | ✓ | ✓ | ✓P | - |
| PFA 9033 | - | 10 kg / 22 lbs | ● | - | - | ✓ | ✓P | - |

✓P = TUV for Professional use, ✓ = TUV
 Visit www.vogels.com for more information.