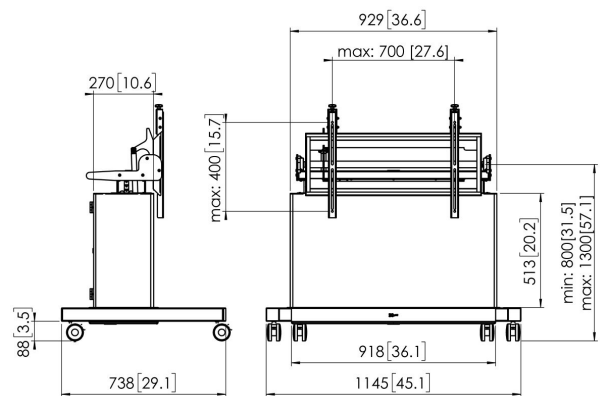




PFTE 7121 Motorized Touch Table

The Vogel's touch table supports interactivity in every context at every angle. Whether it is a museum, trade fair or an university, the touch table allows you to show your content at its best.





PFTE 7121 Motorized Touch Table



Specifications

| | |
|--|---------------|
| Article number (SKU) | 7371214 |
| Colour | Silver |
| EAN single box | 8712285337161 |
| Guarantee | 5 years |
| Min. screen size (inch) | 50 |
| Max. screen size (inch) | 86 |
| Max. weight load (kg) | 160 |
| Max. distance to floor - center display (mm) | 1300 |
| Max. horizontal hole pattern (mm) | 700 |
| Max. vertical hole pattern (mm) | 400 |
| Min. distance to floor - center display (mm) | 800 |
| Min. horizontal hole pattern (mm) | 100 |
| Min. vertical hole pattern (mm) | 100 |
| Motorized | Yes |
| Remote controlled | Yes |
| Travel | 500 |

VOGEL'S HOLDING BV (©)

All rights reserved.
Subject to printing errors,
technical and price
amendments.

Date: 2022-06-01