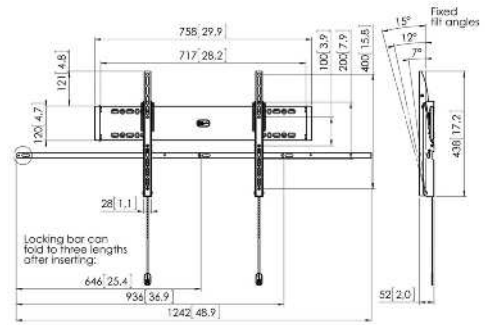




## PFW 4610 WALL MOUNT TILT

This locking tilting wall mount helps protect large flat panel displays in public areas against theft. The PFW 4000 series is designed for public areas that cannot be continuously supervised. The Vogel's Autolock® mechanism securely locks the display in place, and the slim design creates a clean, elegant look. The PFW 4610 wall mount is suitable for 55 to 65 inch displays weighing up to 75 kg.

<b>Tilt</b>	15
<b>Main Color</b>	Black
<b>Guarantee</b>	5 years
<b>Min. distance to the wall (mm)</b>	52
<b>Min. screen size (inch)</b>	55"
<b>Max. screen size (inch)</b>	65"
<b>Max. screen weight (kg)</b>	75
<b>Hole pattern (mm)</b>	min 100x100 / max 600x400



## PFW 4610 WALL MOUNT TILT

For displays mounted high on the wall, tilting the display forward helps create a better viewing angle. The PFW 4610 wall mount, 52 mm deep, can tilt up to 15°, in 0°, 7°, 12° and 15° increments.

The PFW 4610 wall mount features a unique wall plate that allows installers to very precisely compensate for drilling tolerances to ensure level mounting. Mounting hardware is included. A solid security bar and padlock provide theft prevention while still allowing easy access to the display for servicing. All Vogel's products are TÜV5 certified for maximum safety.

usps\_label

## logistics\_label

<b>EAN Code Product</b>	8712285331084
<b>Net weight including packaging (kg)</b>	3.68
<b>Single Box Width (mm)</b>	130
<b>Single Box Length (mm)</b>	760
<b>Single Box Height (mm)</b>	82