



PFW 930 Flat display wall mount

Specifications

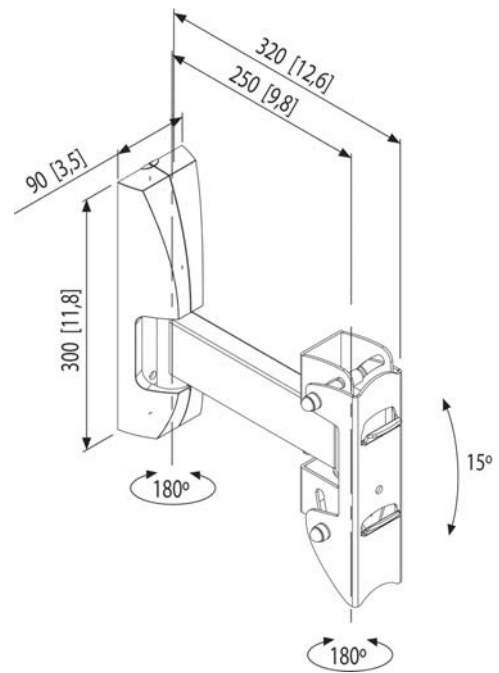
- Max. weight: 60 kg / 132 lbs
- Tilt: 15 °
- Turn: 180 °
- Min. distance to the wall (mm): 125 mm
- Guarantee: 5 years
- Available colours: Silver

The PFW 930 is a flat display wall mount with turn and tilt function (180° turn, 15° tilt) to mount 23"-65" flat displays to the wall (up to 70 kg).

NOT including interface FAU 3150 or FAU 3125.



PFW 930 Flat display wall mount



The PFW 930 flat display wall mount is part of a modular system which enables you to create your own wall mounting solution for flat displays.

Just add the needed universal flat display interface (FAU 3150/3125), depending on the flat display.

The Autolock® locking system locks the interface onto the mount and prevents the display from falling off the turn and tilt unit when accidentally lifted. The optional lock PFA 9008 blocks the locking system, hence preventing theft.

Features

- Autolock® locking system
- NOT INCLUDING interface FAU 3125 or FAU 3150
- With turn and tilt function
- Tilt mechanism with virtual pivot

Logistic information

- Packaging size: 359x335x100 mm
- Max. weight: 5 kg / 10 lbs
- EAN Code: 8712285308383