

## Short throw projector mount (swivel) PPS 801



### Specifications

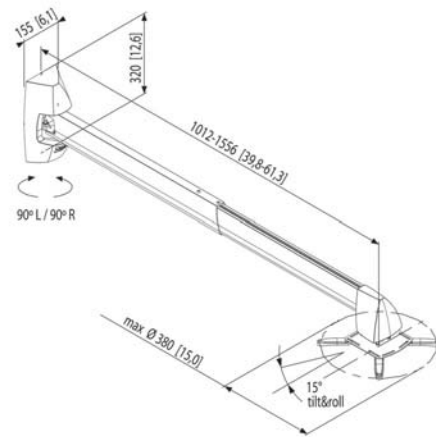
---

- Max. weight: 15 kg / 33 lbs
- Tilt: 15 °
- Turn: 90 °
- Roll: 15 °
- Min. distance to the wall (mm): 1012 mm
- Guarantee: 5 years
- Available colours: Silver/Aluminium

The PPS 801 projector mount is specially designed for the new generation short throw projectors up to 15 kg. This wall mount has unique features for short throw applications and is fitted with a universal adapter.



## Short throw projector mount PPS 801



The PPS 801 wall mount is especially designed for the new generation short throw projectors.

This wall mount has unique features especially for short throw applications and will save a lot of installing and adjustment time.

The mount is also equipped with the unique Vogel's Fine Tune Mechanism VFT™ for setting and keeping the projector exactly positioned.

The swivel functionality of the PPS 801 offers extra safety and security for both teacher and projector and creates more space when not in use. An optional wall lock (PPSA 100) and security cage (PPSA 200) are available.

## Features

- Fine tune mechanism VFT™
- Fully adjustable
- Strong and sturdy construction especially for education use
- Universal projector interface
- Safe and secure
- Swivel function for additional security in combination with the PPSA100 or PPSA200

## Logistic information

- Packaging size: 564x894x190 mm
- Max. weight: 10 kg / 22 lbs
- EAN Code: 8712285316180