



PUC 1040 Ceiling plate

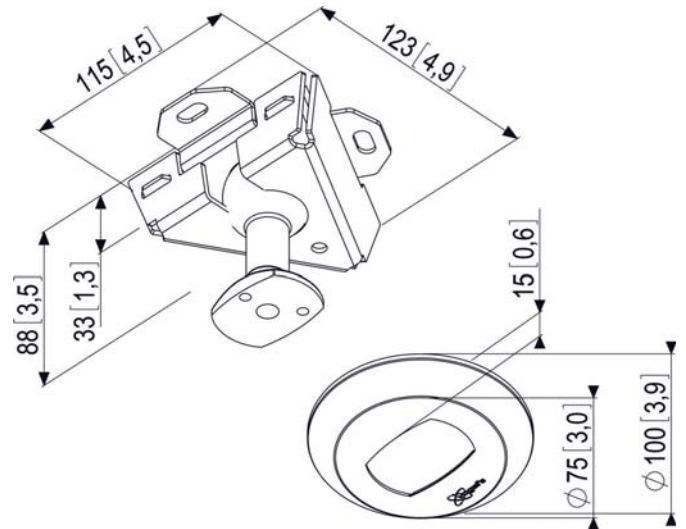
Specifications

- Max. weight: 30 kg / 66 lbs
- Guarantee: 5 years
- Available colours: Silver

The PUC 1040 ceiling plate is a part of the modular Connect-it system with which you can create your own ceiling solution for small- to medium-sized displays.



PUC 1040 Ceiling plate



This ceiling plate is suitable for flat and inclined ceilings. The screen can be turned in any required position by using the ball joint in the ceiling plate. Combine this ceiling plate with one of the poles from the Connect-it Series (PUC 2108, PUC 2115, PUC 2130, PUC 2308, PUC 2315 or PUC 2330) and a Connect-it interface (PFI 3010, PFI 3020, PFI 3030 or PFI 3040) for a complete ceiling solution.

Features

- Ceiling plate suitable for inclined and flat ceilings
- Quick and easy installation
- Max load: (2x) 30 kg
- Multi directional

Logistic information

- Packaging size: 136x158x59 mm
- Max. weight: 1 kg / 2 lbs
- EAN Code: 8712285317101